

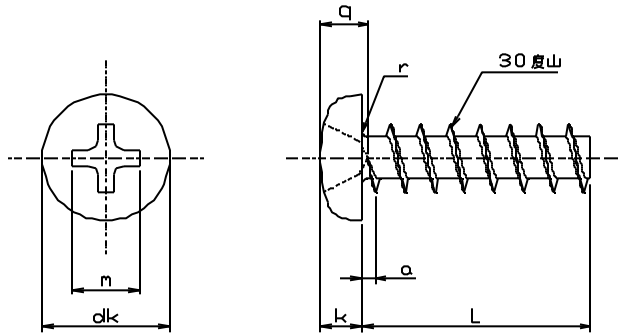
**Non-Sert
tapping screws for soft plastic, 30 degree thread**

d	1.4	1.6	2	2.5	3	4	5	6
Material	1016		1018					
hardness	HV450±40		Min HV420					
pitch	0.5	0.6	0.80	1.10	1.30	1.60	2.00	2.40
dk	2.5	3	4	5	5.6	8	9.5	12
k	0.5	0.5	1.6	2.1	2.4	3.1	3.7	4.6
drive #	0	0	1	1	1	2	2	3

#0 phillips pan head, steel hardened black Nickle plated

Please order this product by part number. USD/100pcs

SIZE	PART #	box q'ty	100pcs	1,000pcs & above
1.4x3	R830-NS011403BNi	100	\$11.20	\$3.14
4	R830-NS011404BNi	100	\$11.20	\$3.14
5	R830-NS011405BNi	100	\$11.20	\$3.43
6	R830-NS011406BNi	100	\$11.20	\$3.71
1.6x4	R830-NS011604BNi	100	\$11.20	\$3.14
5	R830-NS011605BNi	100	\$11.20	\$3.29
6	R830-NS011606BNi	100	\$11.20	\$3.43
8	R830-NS011608BNi	100	\$11.20	\$3.57



**Phillips pan head, steel hardened
eco-zinc plated (NO Cr6 included)**

Please order this product by part number. USD/100pcs

SIZE	PART #	100pcs pack	small box	
			unit price	q'ty
2x5	R830-NS010205	\$3.00	\$1.00	3,500
6	R830-NS010206	\$3.00	\$1.00	3,000
8	R830-NS010208	\$3.10	\$1.00	2,500
10	R830-NS010210	\$3.40	\$1.10	2,000
2.5x6	R830-NS012506	\$3.00	\$1.00	1,700
8	R830-NS012508	\$3.10	\$1.00	1,400
10	R830-NS012510	\$3.40	\$1.10	2,500
12	R830-NS012512	\$3.70	\$1.20	2,000
14	R830-NS012514	\$3.90	\$1.30	1,800
3x6	R830-NS010306	\$3.10	\$1.00	2,500
8	R830-NS010308	\$3.10	\$1.00	2,500
10	R830-NS010310	\$3.40	\$1.10	2,000
12	R830-NS010312	\$3.70	\$1.20	3,000
14	R830-NS010314	\$4.00	\$1.30	2,500
16	R830-NS010316	\$4.10	\$1.40	2,000
20	R830-NS010320	\$4.70	\$1.60	1,600

**Phillips pan head, steel hardened
eco-zinc plated (NO Cr6 included)**

Please order this product by part number. USD/100pcs

SIZE	PART #	100pcs pack	small box	
			unit price	q'ty
4x8	R830-NS010408	\$5.00	\$1.70	2,000
10	R830-NS010410	\$5.10	\$1.70	1,500
12	R830-NS010412	\$5.60	\$1.80	1,500
14	R830-NS010414	\$6.10	\$2.00	1,300
16	R830-NS010416	\$6.60	\$2.20	1,000
20	R830-NS010420	\$8.00	\$2.60	800
25	R830-NS010425	\$9.40	\$3.10	800
5x10	R830-NS010510	\$9.30	\$3.10	1,000
12	R830-NS010512	\$9.90	\$3.30	900
14	R830-NS010514	\$10.30	\$3.40	800
16	R830-NS010516	\$10.70	\$3.60	700
20	R830-NS010520	\$12.00	\$4.00	600
25	R830-NS010525	\$13.30	\$4.40	500
6x12	R830-NS010612	\$17.60	\$5.90	500
14	R830-NS010614	\$18.00	\$6.00	500
16	R830-NS010616	\$18.90	\$6.30	400
20	R830-NS010620	\$22.30	\$7.40	400

Both the 100 pc package and small box pack are available for immediate shipment from the overseas factory.

MARYLAND METRICS
 phones: (410)358-3130 (800)638-1830 faxes: (410)358-3142 (800)872-9329
 URL: <http://mdmetric.com> E-mail: techinfo@mdmetric.com
 P.O.Box 261 Owings Mills, MD 21117 USA
FASTENER CATALOG - CHAPTER S6

Many items in this chapter are not stocked in the US. Please allow adequate lead time for delivery and factory minimum order requirements.