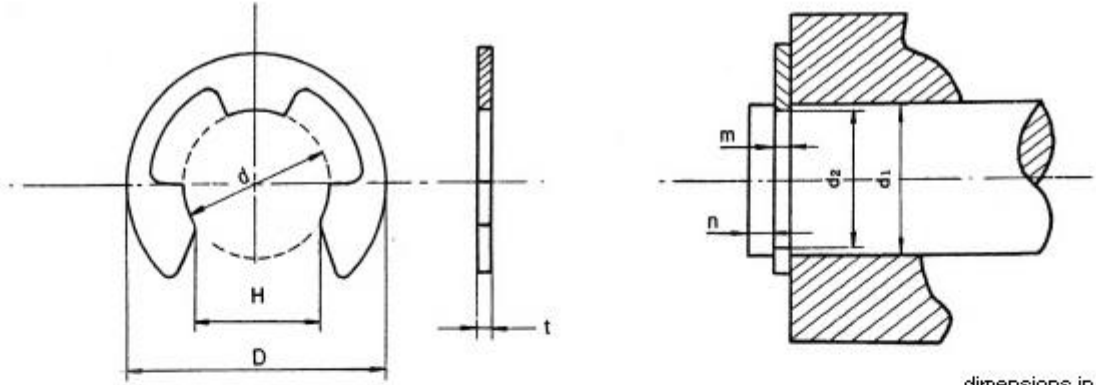


E-TYPE RETAINING RINGS (C) 304 STAINLESS STEEL**



dimensions in mm

Size No.	Size	Shaft Dia d1	Retaining Ring						Groove dimension				
			I/D d	O/D D	Thickness t	H	Diameter d2	Width m	n(min)				
13007	0.7	1 ~ 1.2	0.65	+0.02 -0.07	2	0.2	±0.03	0.59	+0.02 -0.15	0.7	+0.05 0	0.25	0.4
13010	1	1.3~ 1.7	0.95	+0.05 -0.07	2.8	0.2		0.86		1		0.25	0.6
13013	1.3	1.6~ 2.1	1.25		3.3	0.3		1.03		1.3		0.35	0.6
13017	1.7	2 ~ 2.6	1.65		4.2	0.4	1.5	1.7	0.45	0.8			
13020	2	2.4~ 3	1.95	+0.05 -0.07	4.6	0.5	±0.04	1.7	+0.02 -0.18	2	+0.05 0	0.55	1
13024	2.4	2.9~ 3.8	2.35		6	0.6		2	2.4	0.68		1	
13028	2.8	3.3~ 4.2	2.74		6.5	0.6		2.44	2.8	0.68		1	
13032	3.2	3.8~ 4.7	3.14	+0.07 -0.1	7.2	0.6	±0.05	2.7	+0.02 -0.2	3.2	+0.07 0	0.68	1
13037	3.7	4.3~ 5.3	3.64		8	0.7		3.1		3.7		0.78	1.2
13040	4	4.8~ 6.3	3.93		10	0.7		3.47		4		0.78	1.2
13042	4.2	5 ~ 6.4	4.13	+0.07 -0.1	10	0.7	±0.05	3.6	+0.05 -0.25	4.2	+0.07 0	0.78	1.2
13050	5	5.8~ 7.3	4.93		11	0.7		4.4		5		0.78	1.2
13058	5.8	6.6~ 8.2	5.73		12	0.7		5		5.8		0.78	1.2
13060	6	6.9~ 8.6	5.93	+0.07 -0.1	12.7	0.9	±0.05	5.2	+0.08 -0.25	6	+0.07 0	1	1.2
13064	6.4	7.3~ 9.1	6.32		13.5	0.9		5.6		6.4		1	1.2
13074	7.4	8.4~10.3	7.31		15	0.9		6.3		7.4		1	1.5
13080	8	9.2~11.3	7.91	+0.07 -0.1	16.5	1	±0.05	6.9	+0.1 -0.3	8	+0.07 0	1.1	1.7

SERIES R928-113 How to order: R928-series number-material code-surface code-size number

Examples: R928-113-02-01-13024

material code 02 = JIS SUS304CSP HRC 37 ~ 44

surface code 01 = Polished (SUS)

Many items in chapter S are not stocked in the USA. Please allow adequate lead time for delivery and factory minimum order requirements.

copyright 2005 maryland metrics ver a15b

MARYLAND METRICS

phones: (410)358-3130 (800)638-1830 faxes: (410)358-3142 (800)872-9329

URL: <http://mdmetric.com> Email: sales@mdmetric.com

P.O. Box 261 Owings Mills, MD 21117 USA

FASTENER CATALOG - CHAPTER S