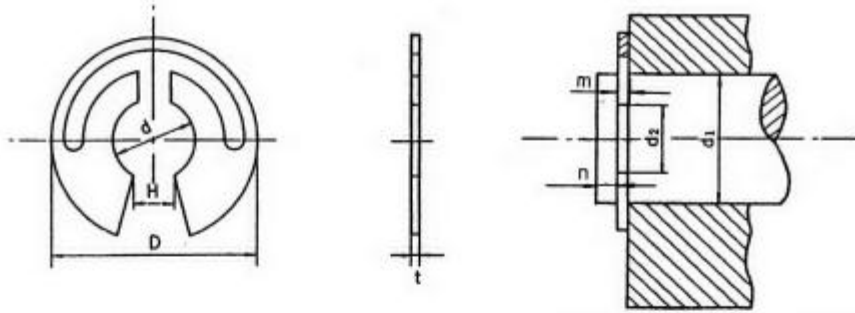


C RING TYPE A & TYPE B 304 STAINLESS STEEL**

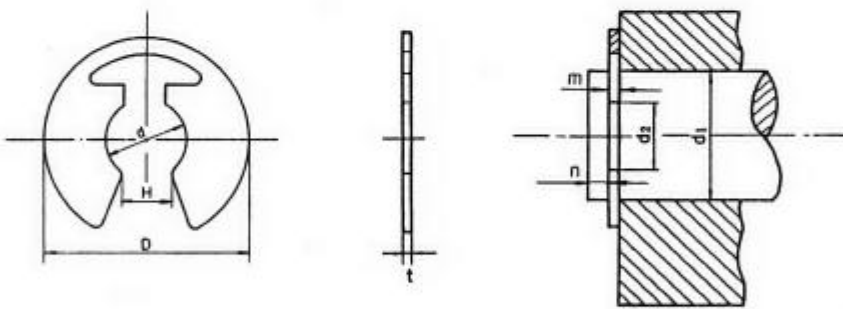
A



dimensions in mm

| Size No. | Nom. | Applic. Shaft d ₁ | Size | | | Groove | | | |
|--------------|------|---------------------------------|-------------------|--------------|----------------|---------------------|-------------------------|-------------------|-----|
| | | | I/D d | O/D D | Thickness t | H | Diameter d ₂ | Width m | n |
| 14015 | 1.5 | 2 ~3 | 1.5 $^{0}_{-0.1}$ | 5 ± 0.2 | 0.4 ± 0.03 | 1.07 $^{0}_{-0.25}$ | 1.5 $^{+0.06}_{0}$ | 0.5 $^{+0.1}_{0}$ | 1 |
| 14020 | 2 | 2.5~4 | 2 $^{0}_{-0.1}$ | 6 ± 0.2 | | 1.45 $^{0}_{-0.25}$ | 2 $^{+0.06}_{0}$ | 0.5 $^{+0.1}_{0}$ | 1 |
| 14064 | 6.4 | 7.3~9 | 6.3 ± 0.1 | 16 ± 0.2 | | 5.6 $^{0}_{-0.3}$ | 6.4 $^{+0.07}_{0}$ | 0.5 $^{+0.1}_{0}$ | 1.2 |

B



dimensions in mm

| Size No. | Nom. | Applic. Shaft d ₁ | Size | | | Groove | | | |
|--------------|------|---------------------------------|----------------|----------------|----------------|-------------------|-------------------------|-------------------|-----|
| | | | I/D d | O/D D | Thickness t | H | Diameter d ₂ | Width m | n |
| 14013 | 1.3 | 2 ~3 | 1.3 ± 0.05 | 6 ± 0.2 | 0.4 ± 0.03 | 1.1 ± 0.05 | 1.3 $^{+0.06}_{0}$ | 0.5 $^{+0.1}_{0}$ | 1 |
| 14016 | 1.6 | 2 ~3 | 1.6 ± 0.07 | 6 ± 0.2 | | 1.2 $^{+0.1}_{0}$ | 1.6 $^{+0.06}_{0}$ | 0.5 $^{+0.1}_{0}$ | 1 |
| 14025 | 2.5 | 3.2~4 | 2.5 ± 0.07 | 9.5 ± 0.2 | | 2.3 $^{0}_{-0.1}$ | 2.5 $^{+0.06}_{0}$ | 0.5 $^{+0.1}_{0}$ | 1 |
| 14030 | 3 | 4 ~5 | 3 ± 0.07 | 10 ± 0.2 | | 2.7 ± 0.05 | 3 $^{+0.06}_{0}$ | 0.5 $^{+0.1}_{0}$ | 1 |
| 14040 | 4 | 5 ~7 | 4 ± 0.07 | 12.5 ± 0.2 | | 3.2 ± 0.07 | 4 $^{+0.06}_{0}$ | 0.5 $^{+0.1}_{0}$ | 1.2 |
| 14043 | 4.3 | 5 ~7 | 4.3 ± 0.07 | 12.5 ± 0.2 | | 4 ± 0.07 | 4.3 $^{+0.06}_{0}$ | 0.5 $^{+0.1}_{0}$ | 1.2 |

SERIES R928-114

How to order: R928-series number-material code-surface code-size number

Examples: R928-114-02-01-14040

material code 02 = JIS SUS304CSP HRC 37 ~ 44

surface code 01 = Polished (SUS)

Many items in chapter S are not stocked in the USA. Please allow adequate lead time for delivery and factory minimum order requirements.

copyright 2005 maryland metrics ver a16b

MARYLAND METRICS

phones: (410)358-3130 (800)638-1830 faxes: (410)358-3142 (800)872-9329

URL: <http://mdmetric.com> Email: sales@mdmetric.com

P.O. Box 261 Owings Mills, MD 21117 USA

FASTENER CATALOG - CHAPTER S