
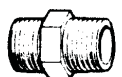
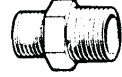


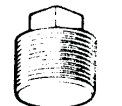



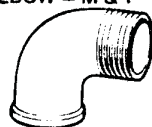


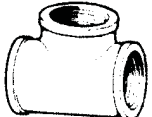


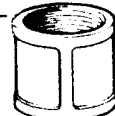

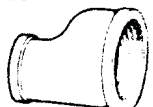


# MARYLAND METRICS


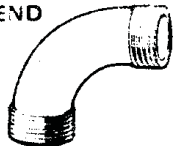
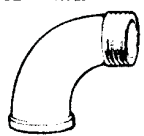
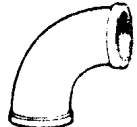
Phones: (800)638-1830 (410)358-3130 FAXes:(800) USA-9-FAX=[800-872-9329] (410)358-3142


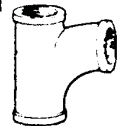







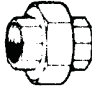









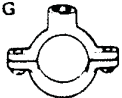
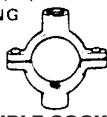


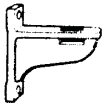
<b>140</b> BUSH - HEXAGON 	<b>144</b> NIPPLE - HEXAGON 	<b>145</b> NIPPLE - HEXAGON 	<b>146</b> PLUG - BEADED SOLID 	<b>147</b> PLUG - HOLLOW 	<b>148</b> PLUG - SOLID 
<b>149</b> PLUG - COUNTERSUNK 	<b>150</b> BACKNUT PARALLEL THREAD TO BS 2779 	<b>151</b> ELBOW 	<b>152</b> ELBOW - M & F 	<b>155</b> ELBOW - 45° 	<b>156</b> ELBOW - 45° M&F 
<b>161</b> TEE 	<b>163</b> TEE - M&F 	<b>171</b> CROSS 	<b>177</b> SOCKET - TAPER THREAD 	<b>179</b> SOCKET 	<b>180</b> SOCKET - ECCENTRIC 

A SAMPLING OF SOME OF THE TYPES OF MALLEABLE IRON PLUMBING FITTINGS AVAILABLE. WE CAN PROVIDE OTHER TYPES ON REQUEST, AS WELL AS STEEL HIGH PRESSURE PIPE FITTINGS.

## METRIC (BSP) MALLEABLE IRON PIPE FITTINGS

See the latest product information & technical data charts on the Internet at: <http://mdmetric.com> E-mail to: [sales@mdmetric.com](mailto:sales@mdmetric.com)

<b>185</b> CAP 	<b>191</b> BEND 
<b>192</b> BEND - M&F 	<b>193</b> BEND 

<b>197</b> ELBOW - TWIN 	<b>199</b> TEE - PITCHER 	<b>213</b> BEND - RETURN OPEN 	<b>233</b> FLANGE - ROUND 	<b>241</b> UNION FLAT-FACED GASKET 	<b>256</b> UNION SPHERICAL SEAT IRON-TO-IRON 
<b>257</b> UNION - M&F SPHERICAL SEAT IRON-TO-IRON 	<b>261</b> UNION - ELBOW SPHERICAL SEAT IRON-TO-IRON 	<b>262</b> UNION - ELBOW M&F SPHERICAL SEAT IRON-TO-IRON 	<b>271</b> UNION SPHERICAL SEAT BRONZE-TO-IRON RAILROAD 	<b>272</b> UNION - M&F SPHERICAL SEAT BRONZE-TO-IRON RAILROAD 	<b>276</b> UNION - ELBOW SPHERICAL SEAT BRONZE-TO-IRON RAILROAD 
<b>277</b> UNION - ELBOW M&F SPHERICAL SEAT BRONZE-TO-IRON RAILROAD 	<b>289</b> UNION SPHERICAL SEAT BRONZE-TO-BRONZE NAVY 	<b>290</b> UNION - SA DOUBLE SPHERICAL SEAT IRON-TO-IRON 	<b>501</b> BRACKET SCREW FIXING 	<b>502</b> BRACKET SHORT SHANK 	<b>515/M/W</b> BACKPLATE 
<b>524</b> GIRDER LUGS 	<b>529/M/W</b> RING SINGLE SOCKET 	<b>530/M/W</b> RING DOUBLE SOCKET 	<b>571</b> HANGER ROLLER 	<b>573</b> ROLLER & CHAIR 	<b>575</b> ROLLER BRACKET 

pipethom.cdr ver v29b copyright maryland metrics 2000

PLEASE CALL, FAX, EMAIL OR WRITE FOR PRICE & AVAILABILITY.

thomfax file: plumbing fittings

Mail to: P.O. BOX 261, OWINGS MILLS, MARYLAND 21117 Warehouse: 6119 OAKLEAF AVENUE, BALTIMORE, MARYLAND 21215  
**FOR ALL YOUR METRIC HARDWARE NEEDS**