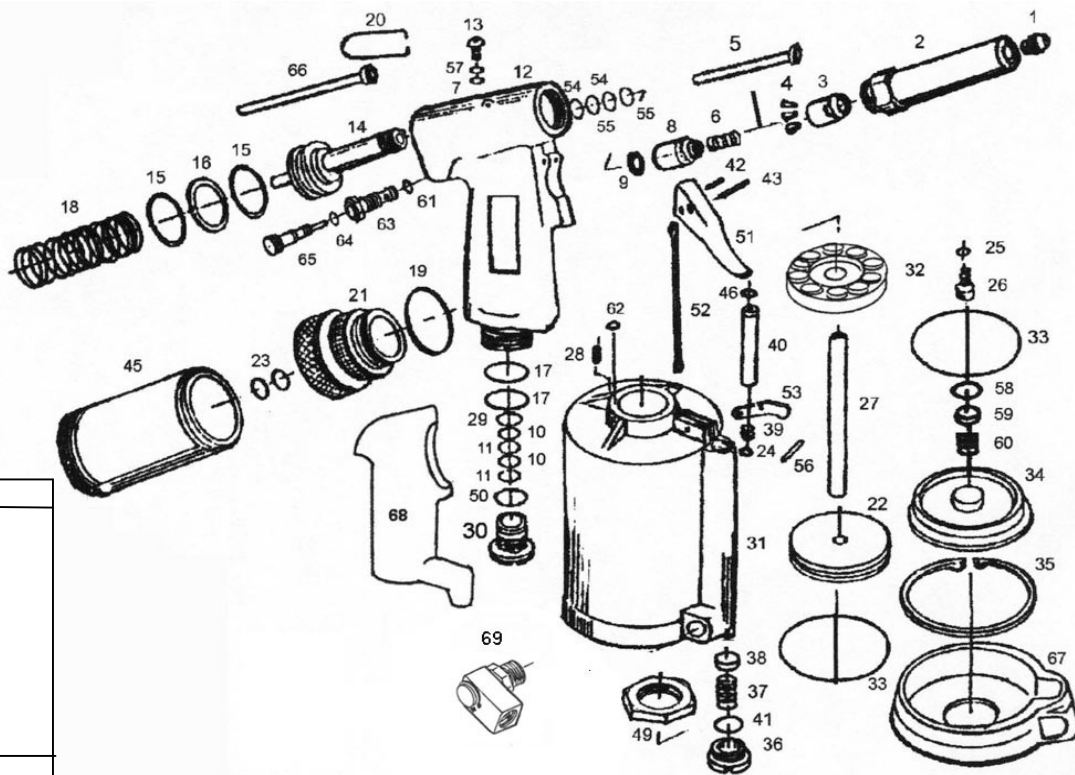


BP-50V BIG BLUE/1/4" HEAVY DUTY HYDRAULIC RIVETER

* with MANDREL COLLECT SYSTEM

SPECIFICATIONS :

Blind Rivet Setting Capacity---Max.1/4" Dia
 Traction Power.....3800Lbs(1700kgs)
 Stroke 7/8
 Operating Air Pressure.....85-110 PSI
 Length317mm
 Weight.....5.2LBS (2.4kgs)
 Sound Pressure.....70 dB(A)
 Vibration < 2.5 M/S²



ACCESSORIES :

Index	P/N	Description
1A.	480018	1/8" Nosepiece
1B.	480532	5/32" Nosepiece
1C.	480316	3/16" Nosepiece
4.	10508	Jaws (10408)
20	54059	Hanging Ring
66	500080	Pusher Tube
*	17S19	Spanner
*	11S13	Spanner
*	11790	Oil Syringe
*	54005	Hex. Wrench

OPTIONAL ACCESSORIES .
 (TO BE CHARGED)

1E.	*500015AV	3/16" Nosepiece for *Monobolt
1F.	*500016AV	1/4" Nosepiece for *Monobolt
1G	*500017HK	3/16" Nosepiece for *Magna-Lok
1H.	*500018HK	1/4" Nosepiece for *Magna-Lok
68	54061	Hand Grip

1025-30 7/10/06

Index No.	Part No.	Description
1D	A6622H	1/4" Nosepiece
2	54015	Head
3	54009	Jaw Housing
4	500008	Jaws (3)
5	500007A	Pusher Tube
6	500005	Spring
7	02197	O-Ring Seal
8	54006	Jaw Housing Coupler
9	54004	Nut
10	11520	X-Ring Seal (2)
11	11558	O-Ring Washer (2)
12	55002	Hydraulic Section
13	02171	Oil Plug
14	500051	Hydraulic Plunger
15	11501	O-Ring Seal (2)
16	11549	Washer
17	02116	O-Ring Seal (2)
18	5002580	Retain Spring
19	55019	O-Ring Seal (2)
21	500070	Screw Plug
22	500023	Piston Disc
23	31413	O-Ring Seal (2)
24	11560	O-Ring Seal

Index No.	Part No	Description
25	11526	Spring Washer
26	11527	Piston Head Lock Screw
27	500022	Plunger Rod
28	35013	Pin
29	25022	O-Ring Seal
30	02157	Screw Plug
31	500029V	Air Cylinder Body
32	500083	Damping Ring
33	11531	O-Ring Seal (2)
34	500035	Air Cylinder Cap
35	11514	Clip
36	10550	Plug Screw
37	10544	Valve Pressure Spring
38	11542	Valve Plate
39	11541	Valve Spring
40	500039	Valve Rod
41	25203	O-Ring
42	02168H	Pin
43	02169	Pin
45	500610	Mandrel Bottle Ass'y
46	10548	O-Ring Seal
49	02121	Lock Nut
50	02170	O-Ring Seal

Index No.	Part No	Description
51	02138	Trigger
52	500033	Trigger Rod
53	500034	Trigger Lever
54	11554	X-Ring Seal (2)
55	11502	Ring Washer (2)
56	02167	Pin
57	400017A	Fill Washer
58	19314	Retaining Ring
59	19312	Rubber Plate
60	19313	Spring
61	R1.9X1.2	O-Ring Seal
62	20413	O-Ring
63	550321	Adjustable Bushing
64	55092	O-Ring Seal
65	550322	Adjustable Screw
67	11570	Rubber Cushion
69	#021470	Universal Joint Kit

To pull small rivets, 1/8"(3.2mm), 5/32"(4.0mm) remove #5 (500007A)pusher tube & #4 (500008) jaws & replace w/ #66 (500080)small pusher tube & small Jaws #4 (10508)