

# DUBO and KORREX Products

are available from

## MARYLAND METRICS

P.O.Box 261 Owings Mills, Md 21117 USA

ph: (410)358-3130 (800)638-1830

fx: (410)358-3142 (800)872-9329

web: <http://mdmetric.com>

email: [sales@mdmetric.com](mailto:sales@mdmetric.com)

**DUBO**<sup>®</sup>  
ORIGINAL  
**WORLDWIDE**

DUBO  
retaining rings

10



DUBO  
retaining rings for  
socket head screws

11



KORREX  
insulating bushes  
type II / M

14



KORREX  
insulating bushes  
type II / WW

14



KORREX  
insulating bushes  
type I / WW

14



DUBO  
toothed collar rings

15/16



KORREX  
snapcaps

17



KORREX  
protective caps for  
socket head screws

18



KORREX  
flat washers

21



KORREX  
hexagon nut caps

22



KORREX  
rosettes

23



KORREX  
round nut caps

24



Click here for a RFQ (request for quotation) form



# DUBO<sup>®</sup> retaining rings

ORIGINAL



### Multiple locking and sealing because DUBO retaining rings:

- flow into the threads of the bolt and the nut;
- create a particularly effective frictional resistance with the bolt and thereby;
- prevent rotation of the retaining ring around the bolt;
- wraparound the flats on the nut and thereby effectively prevent the nut from loosening;
- by filling all free spaces, seal against leakage.

### Sound-deadening properties and durability because DUBO retaining rings:

- absorb vibrations arising in any bolt assembly;
- have plastic-flexible characteristics;
- neither deteriorate nor wear, and therefore can always be re-used again and again without loss of the above-mentioned advantages.



*Patented throughout  
the world.  
DUBO retaining rings  
can be used in  
conjunction with:  
DUBO toothed collar rings  
KORREX insulating bushes  
KORREX protective caps*

### Insulation and protection of the surface of the material because DUBO retaining rings:

- are chemically resistant to Alkalis, to solutions of neutral inorganic salts, to oils, fats, petrol, benzine, alcohol, acetone, diluted acids, and sea water;
- prevent electrolytic corrosion between two different metal surfaces;
- prevent fatigue in the bolt material.

### Physical properties:

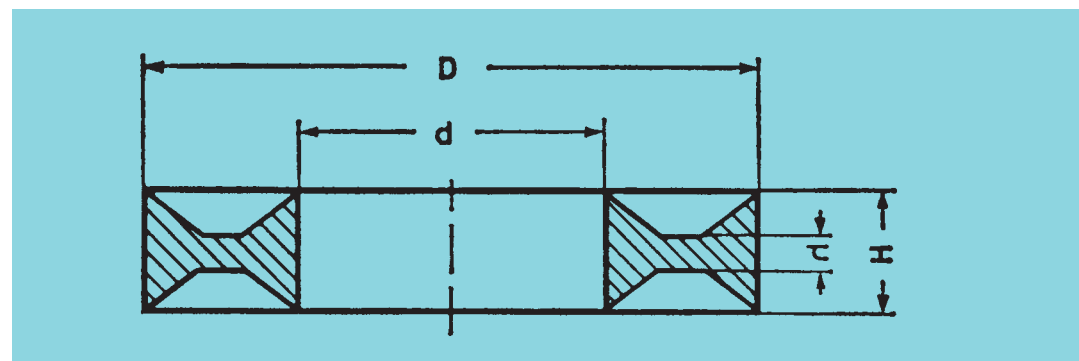
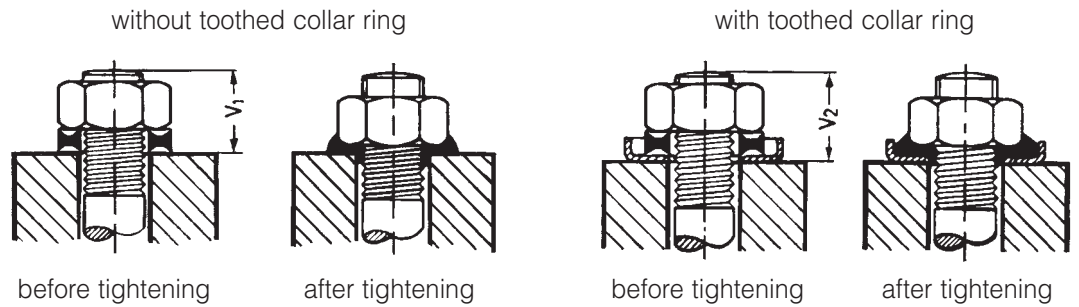
Tensile strength up to the elastic limit	7 N/mm <sup>2</sup>
Ultimate tensile strength	26 N/mm <sup>2</sup>
Modulus of elasticity	66 N/mm <sup>2</sup>
Breakdown voltage	18 kV/mm
Rockwell hardness	115° R
Specific gravity	1,14

Order from MARYLAND METRICS  
P.O.Box 261 Owings Mills, MD 21117 USA  
ph: (410)358-3130 (800)638-1830 fx: (410)358-3142 (800)872-9329  
web: <http://mdmetric.com> email: [sales@mdmetric.com](mailto:sales@mdmetric.com)



# DUBO<sup>®</sup> retaining rings

ORIGINAL



Dimensions in mm

Part.No.	Metric threads	Inch threads	D	d	H	h	without toothed collar ring		packing unit/pcs
							V1	V2	
1002000000000	M 2		5,30	2,10	1,50	0,50	3,50		500
1003000000000	M 3		8,00	3,20	2,20	0,80	5,00		500
1003500000000	M 3,5		9,00	3,80	2,40	0,90	5,50		500
1004000000000	M 4		9,50	4,15	2,60	1,00	6,00		500
1005000000000	M 5		10,60	5,15	3,00	1,20	7,00		500
1006000000000	M 6		12,70	6,20	3,50	1,40	8,50	9,25	500
1006001000000		1/4"	12,70	6,50	3,50	1,40	8,50	9,25	500
1007000000000	M 7		14,50	7,10	3,80	1,50	9,00	9,75	500
1008000000000	M 8		16,20	8,10	4,00	1,60	10,50	11,50	500
1009000000000		3/8"	19,60	9,70	4,50	1,80	12,50	13,50	100
1010000000000	M 10		19,60	10,20	4,50	1,80	12,50	13,50	500
1011000000000		7/16"	21,90	11,30	4,70	1,90	13,50	15,00	100
1012000000000	M 12		23,60	12,20	5,00	2,00	14,50	16,00	500
1013000000000		1/2"	25,40	12,80	5,00	2,00	16,00	17,50	100
1014000000000	M 14		25,40	14,20	5,50	2,10	16,50	18,00	100
1015000000000		9/16"	28,60	14,40	5,50	2,10	18,00	19,50	100
1016000000000	M 16		29,40	16,20	6,00	2,20	19,00	20,75	100
1017000000000		5/8"	31,20	16,00	6,00	2,20	19,00	20,75	100
1018000000000	M 18		35,10	18,20	6,50	2,30	21,50	23,25	100
1019000000000		3/4"	36,90	19,20	7,00	2,40	23,00	24,75	100
1020000000000	M 20		35,70	20,30	7,00	2,40	23,00	24,75	100
1022000000000	M 22		41,60	22,50	7,50	2,50	24,50	26,50	100
1024000000000	M 24		41,60	24,30	8,00	2,60	26,00	28,00	100
1025000000000		1"	47,30	25,60	8,00	2,60	28,00	30,00	100
1027000000000	M 27		47,30	27,30	8,50	2,70	28,50	30,50	100
1030000000000	M 30		53,10	30,20	8,50	2,80	30,50	32,50	100
1033000000000	M 33		57,70	33,20	9,00	3,00	34,00	36,00	100
1036000000000	M 36		63,50	36,20	10,00	3,20	38,00	40,00	100
1039000000000	M 39		69,30	39,20	11,00	3,40	41,00		100
1042000000000	M 42		74,00	42,20	13,00	3,80	45,00		100
1045000000000	M 45		80,80	45,20	16,00	4,20	51,00		100
1048000000000	M 48		86,50	48,20	17,00	4,50	55,00		100
1052000000000	M 52		92,40	52,30	17,00	4,60	57,00		100

**Temperature range** for static loads: -60°C to + 120°C  
for dynamic loads: -60°C to + 80°C

**Material** nylon 6



# DUBO<sup>®</sup> retaining rings

ORIGINAL

## for socket headscrews



11

The specifications of DUBO retaining rings used in conjunction with DUBO toothed collar rings also apply in principle for DUBO retaining rings for socket head screws. It is the same ring, but with special dimensions to suit socket head screws.

### Instructions for fitting DUBO retaining rings

To ensure reliable locking and sealing of the screw it is important to observe the following points on assembly:

1. The screw should be tightened until the outer reinforcing rim of the ring is distorted and has engaged around the head of the screw. The screw generally then has the right initial stress. Because the material of the ring slides over the surface of the surrounding component, it feels as if the screw still needs further tightening, but this is not so. The required initial stress is obtained immediately on distortion of the ring and the screw is then completely locked.  
Further tightening of the screw is harmful.



*Patented throughout the world lock and seal*

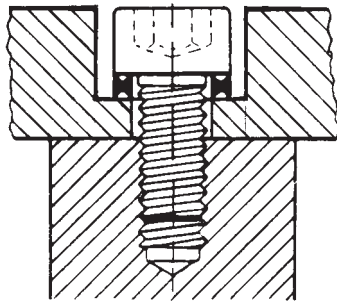
2. The smoothest finish possible on the bearing surface of the component improves the locking and sealing.
3. The correct diameter of ring should be used for each thread diameter.
4. Where the DUBO retaining ring is used with a DUBO toothed collar ring the screw can be tightened up to any permitted torque value.

Order from MARYLAND METRICS  
P.O.Box 261 Owings Mills, MD 21117 USA  
ph: (410)358-3130 (800)638-1830 fx: (410)358-3142 (800)872-9329  
web: <http://mdmetric.com> email: [sales@mdmetric.com](mailto:sales@mdmetric.com)

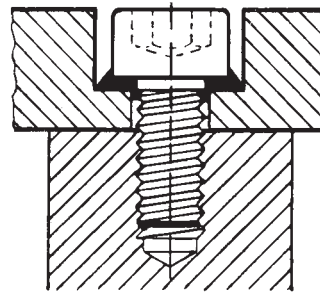


# DUBO<sup>®</sup> retaining rings

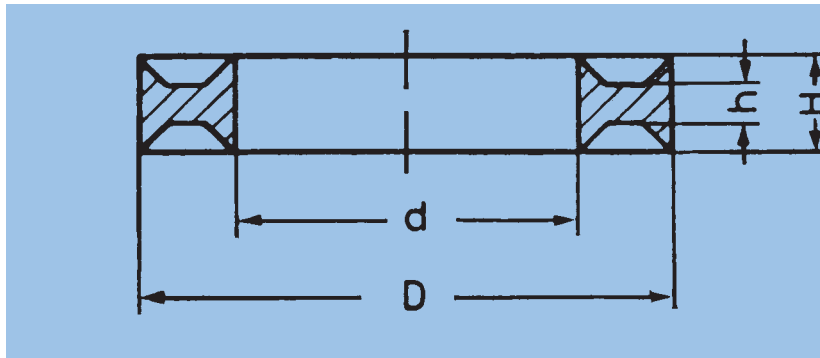
ORIGINAL  
for socket headscrews



before tightening



after tightening



Dimensions in mm

Part.No.	Metric threads	Inch threads	D	d	H	h	packing unit/pcs
1104000000000	M 4		7,70	4,10	2,00	0,80	500
1105000000000	M 5		9,80	5,15	3,00	1,20	500
1106000000000	M 6		10,50	6,50	2,50	1,00	500
1108000000000	M 8		14,00	8,10	3,30	1,50	500
1110000000000	M 10		17,00	10,20	3,80	1,50	500
1112000000000	M 12		19,00	12,20	4,40	2,00	100
1113000000000		1/2"	20,00	12,80	4,40	2,00	100
1114000000000	M 14		23,00	14,20	5,20	2,00	100
1116000000000	M 16		25,00	16,20	5,60	2,00	100
1118000000000	M 18		28,00	18,20	6,10	2,30	100
1120000000000	M 20		31,50	20,20	6,50	2,50	100
1122000000000	M 22		34,50	22,20	6,80	2,80	100
1124000000000	M 24		37,50	24,30	7,00	3,00	100

**Temperature range** for static loads: -60°C to + 120°C  
for dynamic loads: -60°C to + 80°C

**Material** nylon 6



# KORREX<sup>®</sup> ORIGINAL insulating bushes for screwed assemblies with metric threads



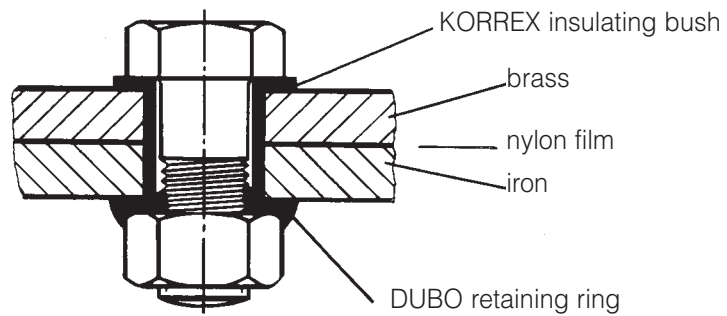
When two metals are in contact and moisture collects between their surfaces, electrolytic corrosion occurs owing to ion-exchange, which attacks the material.

This can be avoided by the use of KORREX insulation bushes of superpolyamide, and are recommended for the following combination of metals:

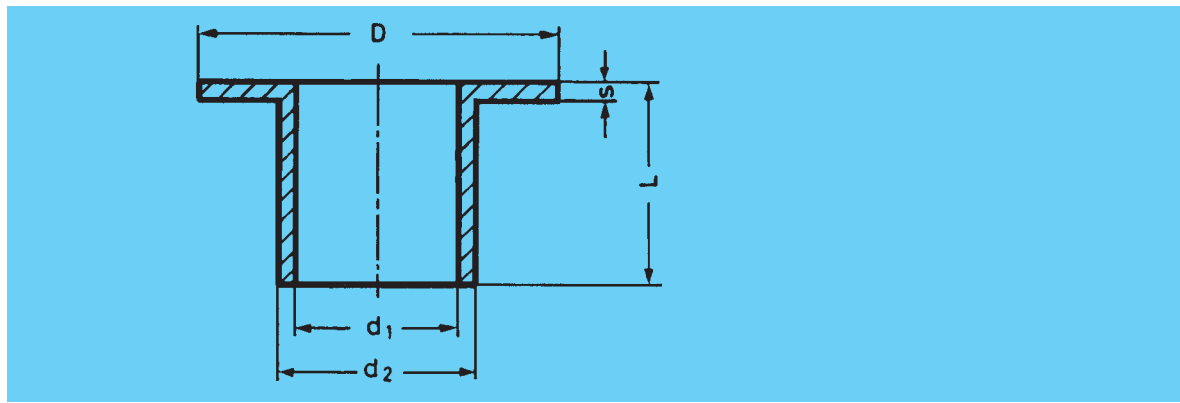
- |           |    |        |
|-----------|----|--------|
| brass     | —— | iron   |
| aluminium | —— | steel  |
| iron      | —— | copper |
| eloxal    | —— | iron   |
| iron      | —— | lead   |
| zinc      | —— | tin    |



*When used in conjunction with KORREX caps, they offer protection from corrosion. KORREX insulating bushes can be used in conjunction with: KORREX caps DUBO retaining rings*



**TYPE II / M**



**Dimensions in mm**

Part.No.	Metric	L	d1	d2	D	s	packing unit/pcs
1404000000000	M 4	5-20	4,30	5,80	9,50	1,00	500
1405000000000	M 5	5-20	5,30	6,80	12,00	1,00	500
1406000000000	M 6	5-25	6,50	8,00	13,00	1,00	500
1408000000000	M 8	5-25	8,20	10,40	18,00	1,00	500
1410000000000	M 10	5-25	10,20	12,50	21,00	1,00	500
1412000000000	M 12	5-25	12,30	15,00	24,00	1,00	500
1416000000000	M 16	5-25	16,30	19,30	30,00	2,00	500
1420000000000	M 20	5-25	20,30	23,30	36,00	2,00	100



# KORREX<sup>®</sup> ORIGINAL insulating bushes

## for screwed assemblies with inch threads



When two metals are in contact and moisture collects between their surfaces, electrolytic corrosion occurs owing to ion-exchange, which attacks the material.

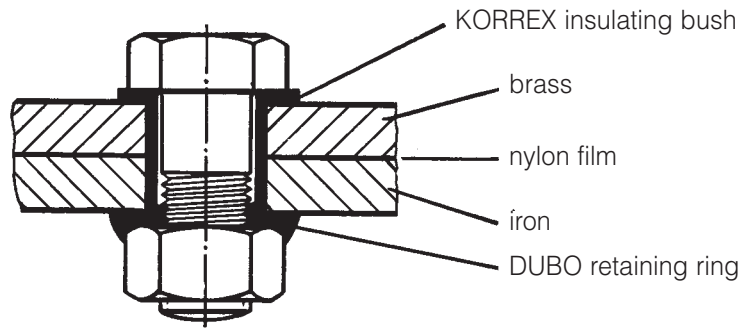
This can be avoided by the use of KORREX insulation bushes of superpolyamide, and are recommended for the following combination of metals:

brass	——	iron
aluminium	——	steel
iron	——	copper
eloxal	——	iron
iron	——	lead
zinc	——	tin

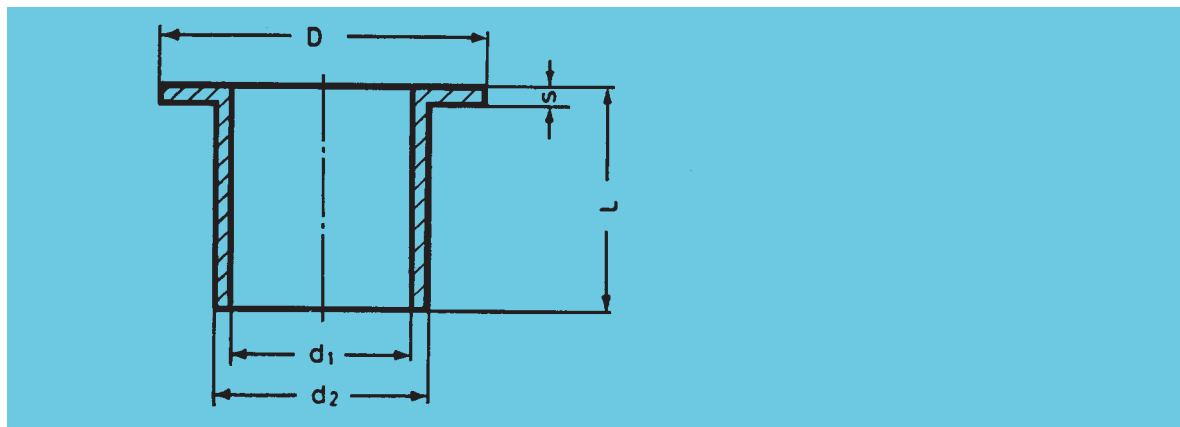


*When used in conjunction with KORREX caps, they offer protection from corrosion. KORREX insulating bushes can be used in conjunction with: KORREX caps DUBO retaining rings*





**TYPE II / WW**



**Dimensions in mm**

Part.No.	for thread size	L	d1	d2	D	S	packing unit/pcs
1402550000000	1/4"	7	7,00	10,00	14,00	1,50	500
1402560000000	5/16"	11	8,00	10,00	22,50	1,00	500
1402570000000	3/8"	13,5	10,00	12,00	25,50	1,00	500
1402580000000	3/8"	16	10,00	13,00	21,50	1,50	500
1402590000000	3/8"	20,5	10,00	12,00	25,00	1,00	500
1402600000000	1/2"	8,5	13,00	14,00	22,00	1,00	500
1402610000000	1/2"	10	13,00	15,00	21,00	1,00	500
1402620000000	1/2"	11	13,00	16,00	28,00	1,50	500
1402630000000	1/2"	13,5	13,00	16,00	28,00	1,50	100
1402640000000	1/2"	19	13,00	15,00	28,50	1,00	100
1402650000000	1/2"	22	13,00	16,00	28,00	1,50	100
1402660000000	5/8"	11	16,00	19,00	34,00	1,00	100
1402670000000	5/8"	16	16,00	19,00	34,00	1,50	100
1402680000000	3/4"	11	20,00	22,00	40,50	1,00	100
1402690000000	3/4"	23	20,00	22,00	40,50	1,00	100
1402700000000	7/8"	16	23,00	25,00	45,50	1,00	100
1402710000000	1"	30	25,60	28,60	40,00	2,00	100



# KORREX<sup>®</sup> insulating bushes

ORIGINAL  
for screwed assemblies with  
inch threads



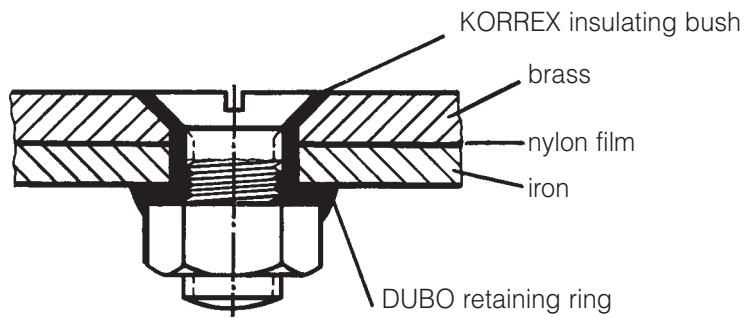
When two metals are in contact and moisture collects between their surfaces, electrolytic corrosion occurs owing to ion-exchange, which attacks the material.

This can be avoided by the use of KORREX insulation bushes of superpolyamide, and are recommended for the following combination of metals:

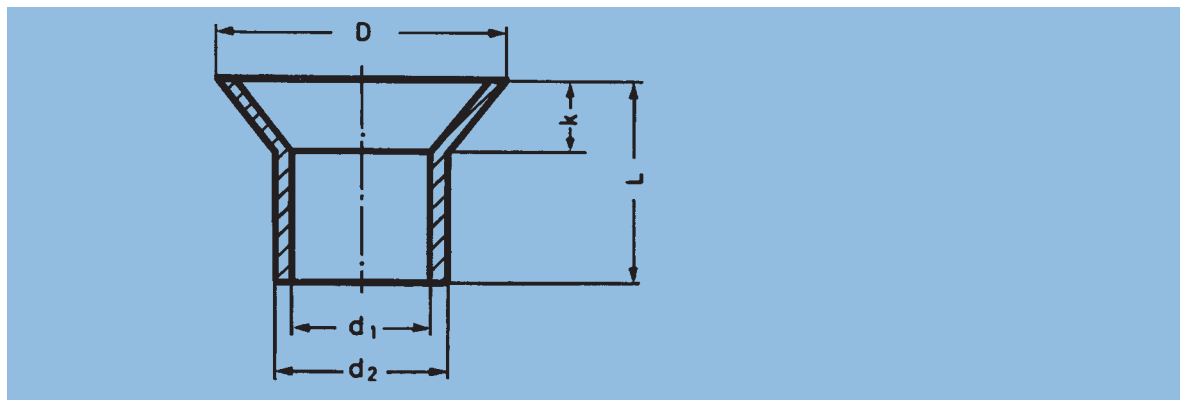
brass	—	iron
aluminium	—	steel
iron	—	copper
eloxal	—	iron
iron	—	lead
zinc	—	tin



*When used in conjunction with KORREX caps, they offer protection from corrosion. KORREX insulating bushes can be used in conjunction with: KORREX caps DUBO retaining rings*



**TYPE I / WW**



Dimensions in mm

Part.No.	for thread size	L	d1	d2	D	k	packing unit/pcs
140106000000	3/8"	13	10,00	12,00	22,00	3,50	500
140108000000	3/8"	16	10,00	13,00	21,00	3,50	500
140109000000	1/2"	10	13,00	15,00	23,00	5,00	500
140110000000	1/2"	12	13,00	16,00	28,00	5,00	500
140111000000	1/2"	14	13,00	16,00	26,00	6,00	500
140112000000	1/2"	15	12,50	14,50	24,00	5,00	500
140113000000	1/2"	17,5	14,00	16,00	28,00	6,00	100
140114000000	1/2"	23	13,00	16,00	26,00	5,00	100
140116000000	5/8"	12	16,00	18,50	31,00	8,00	100
140117000000	5/8"	14,5	16,50	19,50	33,00	8,00	100



# DUBO<sup>®</sup> toothed collar rings

ORIGINAL



15/16

The DUBO toothed collar ring is a unique addition to the DUBO retaining ring, and is intended for use in combination with high quality steel nuts (8.8). It will now be possible to admit any desired bolt tension without damaging the DUBO retaining ring on account of high bolt and nut loads, whereas this invention also permits to use whatever nut as a locking nut, which can be re-used. By putting the DUBO retaining ring into this toothed collar ring, optimum deformation of the DUBO ring is obtained after tightening the nut. The deformation of the DUBO ring causes the locking and tightening effect according to the DUBO principle.

At the spots where the teeth have been provided, the DUBO retaining ring is perforated under high pressure and after complete deformation, constitutes an unity between toothed collar ring and nut. When this situation is obtained, the nut to be locked has come into contact with the steel teeth.



*DUBO toothed collar rings will only be used in conjunction with DUBO retaining rings. Patented throughout the world. Increases the application for screws from 8.8.*

From this moment on, every desired bolt pressure can be admitted; in fact a partly rigid connection between steel on steel and nylon is obtained. Due to the fact that the DUBO ring is compressed under high pressure between the teeth of the collar ring, a constant elastic action is obtained.

### Advantages:

1. the DUBO retaining ring can from now on take up any desired bolt pressure, such as for bolts 8.8 and 10.9 and lock these bolts against loosening;
2. it is possible to make a locking nut out of any nut;
3. it can be re-used many times;
4. the locking material lies under the nut: thus damping, tightening, locking at constant bolt pressure;
5. high friction coefficient due to the combination of steel dents and DUBO retaining ring;
6. nylon DUBO retaining ring can be used now with higher temperatures ( $\pm 180^{\circ}\text{C}$ );
7. metallic contact (electrical purposes) is obtained in cases where it is required;
8. excellent lockwasher for tap-bolts.

Order from MARYLAND METRICS  
P.O.Box 261 Owings Mills, MD 21117 USA  
ph: (410)358-3130 (800)638-1830 fx: (410)358-3142 (800)872-9329  
web: <http://mdmetric.com> email: [sales@mdmetric.com](mailto:sales@mdmetric.com)

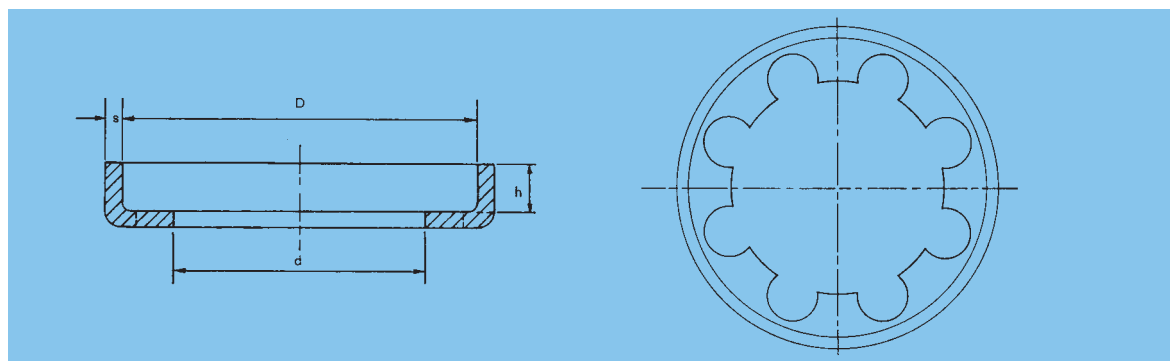
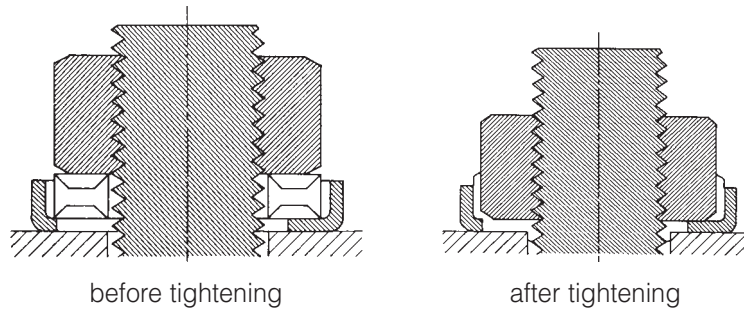


# DUBO<sup>®</sup> toothed collar rings

ORIGINAL



15/16



Dimensions in mm

Part.No.	Material	Hexagon head screws		Socket head screws		D	d	h	s	packing unit/pcs
		Metric threads	Inch threads	Metric threads	Inch threads					
1504000000000	steel	M4/5	3/16"	M 6	1/4"	11,20	6,80	2,50	0,65	500
1604000000000	stainless	M4/5	3/16"	M 6	1/4"	11,20	6,80	2,50	0,65	500
1506000000000	steel	M 6	1/4"			13,20	9,00	3,40	0,75	500
1606000000000	stainless	M 6	1/4"			13,20	9,00	3,40	0,75	500
1508000000000	steel	M 8	3/8"	M 10	3/8"	17,20	12,00	3,80	1,00	500
1608000000000	stainless	M 8	3/8"	M 10	3/8"	17,20	12,00	3,80	1,00	500
1510000000000	steel	M 10	1/2"	M 12	1/2"	21,30	13,50	4,20	1,50	500
1610000000000	stainless	M 10	1/2"	M 12	1/2"	21,30	13,50	4,20	1,50	500
1512000000000	steel	M 12		M 14		24,50	15,50	4,50	1,50	100
1612000000000	stainless	M 12		M 14		24,50	15,50	4,50	1,50	100
1514000000000	steel	M 14	5/8"	M 16	5/8"	27,00	17,50	4,80	1,50	100
1614000000000	stainless	M 14	5/8"	M 16	5/8"	27,00	17,50	4,80	1,50	100
1516000000000	steel	M 16		M 18		31,25	21,00	5,00	1,75	100
1616000000000	stainless	M 16		M 18		31,25	21,00	5,00	1,75	100
1517000000000	steel	5/8"		M 20		33,00	23,00	5,00	1,75	100
1518000000000	steel	M18/20	7/8"	M 22	7/8"	37,50	26,00	5,50	1,75	100
1618000000000	stainless	M18/20	7/8"	M 22	7/8"	37,50	26,00	5,50	1,75	100
1519000000000	steel	3/4"		M 24		39,50	27,00	5,50	1,75	100
1522000000000	steel	M 22/24				44,00	30,50	6,00	2,00	100
1622000000000	stainless	M 22/24				44,00	30,50	6,00	2,00	100
1527000000000	steel	M 27				50,50	35,00	7,00	2,00	100
1627000000000	stainless	M 27				50,50	35,00	7,00	2,00	100
1530000000000	steel	M 30				56,00	40,00	7,50	2,50	100
1630000000000	stainless	M 30				56,00	40,00	7,50	2,50	100
1533000000000	steel	M 33				61,00	45,00	8,00	2,50	100
1633000000000	stainless	M 33				61,00	45,00	8,00	2,50	100
1536000000000	steel	M 36				67,00	50,00	8,30	2,75	100
1636000000000	stainless	M 36				67,00	50,00	8,30	2,75	100

**Materials:** galvanized steel (St 37.2)  
 stainless steel (AISI 316/L)  
 other materials upon request, e.g. 304/L, 316Ti or 321



### What are KORREX snapcaps?

The KORREX snapcap is a development based on a simple method for covering fixation elements, such as bolts, nuts, rivets, self-tappers, etc.

The KORREX snapcap-combination consists of a special washer and a cap, both in plastic material. After putting the washer into place, the KORREX cap needs only to be pressed into the washer and the KORREX snapcap combination is complete.

Sizes and execution have been selected in such a way that no special screws are required, neither have special provisions to be made.



### Erection of the KORREX snapcap

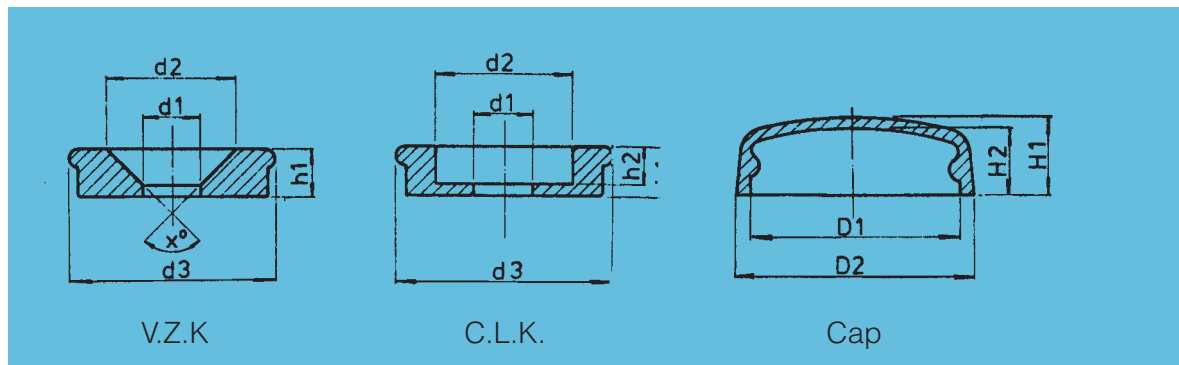
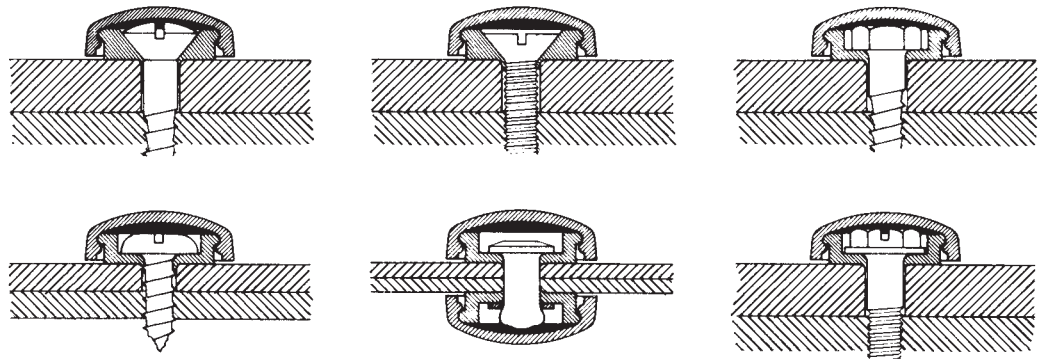
The erection of the KORREX snapcap is very simple. The washer with the plain surface below is put on the screw whereupon the screw is fastened. Thereafter the KORREX cap is pressed onto the washer.

### Properties of the KORREX snapcap

- the relatively high snapping guarantees a correct fitting;
- on account of the universal size range, the application of the KORREX snapcap is practically unlimited;
- the KORREX snapcaps are made of U.V. stabilized plastic; consequently they are weatherproof;
- the no loss points inside the washer guarantee simple mounting under all circumstances;
- the buffer inside the washer, in combination with the perfect size range between cap and washer, guarantee excellent insulation and protection.

### Advantages of the KORREX snapcaps

- unlimited application possibilities
- complete protection against corrosion
- watertight insulation
- electrical insulation
- aesthetical and functional execution of the product
- special fixation elements, such as those made of stainless steel or brass, are no longer necessary
- protection of surface coatings such as enamel, laquer, etc.
- very simple mounting; special provisions are not necessary.



Dimensions in mm

Part.No.	Metric	Type	d1	d2	d3	h1	h2	X	D1	D2	H1	H2	packing unit pcs.
1704010000000	M 4	Cap							11,00	12,50	5,40	4,40	500
1704020000004	M 4	V.Z.K.	4,10	8,00	10,50	3,80		90,00					500
1704030000001	M 4	C.L.K.	4,10	8,00	10,50		3,00						500
1705010000000	M 5	Cap							13,00	15,00	6,50	5,50	500
1705020000004	M 5	V.Z.K.	5,10	10,00	12,70	4,50		90,00					500
1705030000001	M 5	C.L.K.	5,10	10,00	12,70		3,50						500
1706010000000	M 6	Cap							15,30	17,50	8,30	7,00	500
1706020000004	M 6	V.Z.K.	6,10	12,00	15,00	6,00		90,00					500
1706030000001	M 6	C.L.K.	6,10	12,00	15,00		4,50						500
1708010000000	M 8	Cap							18,50	20,80	8,60	7,40	500
1708020000004	M 8	V.Z.K.	8,20	16,00	18,30	6,20		90,00					500
1708010000003	M 8	C.L.K.	8,20	16,00	18,30		5,20						500

Temperature range -60°C to + 120°C

Material rings: nylon 6

caps: UV stabilized polypropylene

Available in black (9017), white (9016) and grey (7042), other colours can be supplied to special order



Because of the many advantages offered by socket head screws in comparison with normal hexagon-head screws, the use of socket head screws is increasing all the time. A disadvantage of them is however the accumulation of dirt in the socket, making them sometimes difficult to unscrew.

This problem is solved in a simple manner by using KORREX protective caps.

In addition to their use as protective caps for socket head screws, KORREX protective caps can also be used for other purposes, for example to seal the ends of tubes or to seal drilled holes.

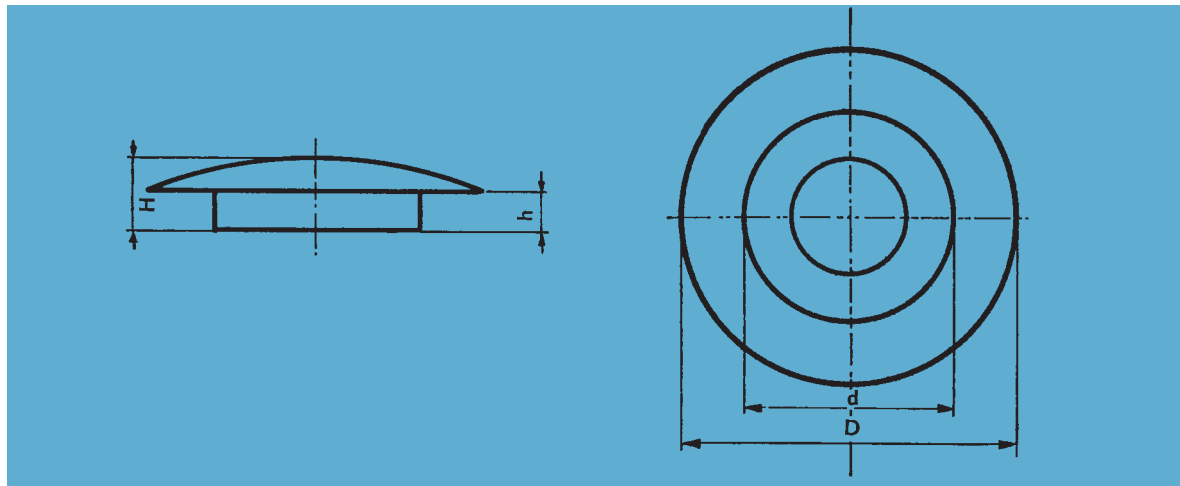
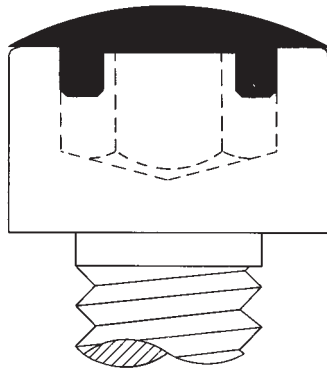
In fact the possible uses of KORREX caps are unlimited.



#### Advantages:

- no corrosion of the screw head;
- the screw is easier to undo;
- the protective caps are easy to fit and can be re-used many times;
- they improve the appearance of all assemblies;
- reduced maintenance costs;
- unlimited possible applications.





Dimensions in mm

Part.No.	metric treads	head width	H	h	D	d	packing unit/pcs
1805000000000	M 5	4	2,80	1,50	9,10	4,30	500
1806000000000	M 6	5	3,20	1,80	10,10	5,40	500
1808000000000	M 8	6	3,80	2,40	13,10	6,30	500
1810000000000	M 10	8	4,30	2,80	16,00	8,20	500
1812000000000	M 12	10	5,50	3,40	18,20	10,50	100
1814000000000	M 14	12	6,30	3,50	22,10	12,50	100
1816000000000	M 16	14	7,50	3,80	23,80	14,50	100
1818000000000	M 18	14	7,50	3,80	23,80	14,50	100
1820000000000	M 20	17	7,40	4,40	30,10	17,60	100
1822000000000	M 22	17	7,40	4,40	30,10	17,60	100

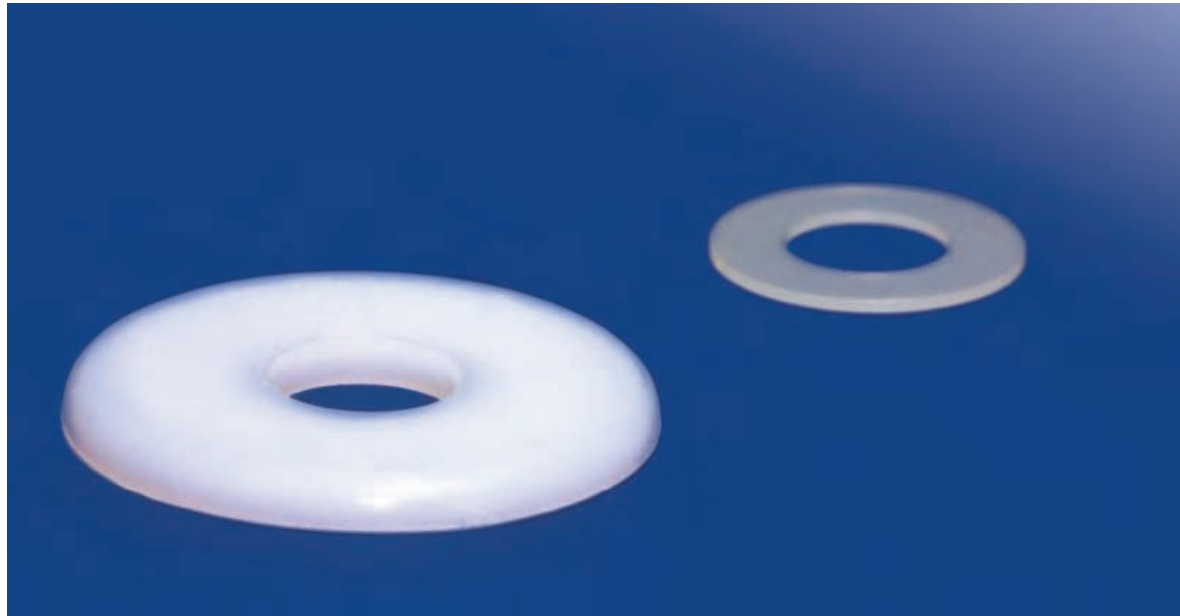
**Temperature range** -60°C to + 100°C

**Material** polyethylene

KORREX protective caps for socket head screws are available in the standard colour of grey (7042) other colours can be supplied to special order.

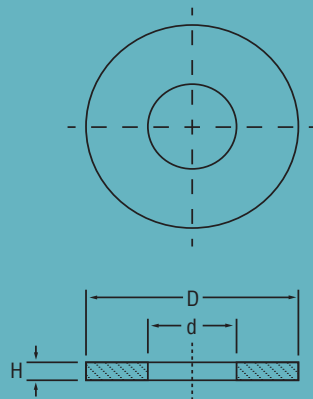


The KORREX flat washer detent is chemically resistant to alkalis, saline, inorganic solutions neutral, weak oils, fats, gasoline, benzene, alcohol, acetone, acids and water of sea.



**Physical properties of the KORREX flat washer:**

Resistance until limit elasticity: 7 N/mm<sup>2</sup>  
 Tensile strength until the breakage: 26 N/mm<sup>2</sup>  
 Modulus of elasticity: 66 N/mm<sup>2</sup>  
 Dielectric strength: 18 kV/mm  
 Hardness Rockwell degrees: 115 R<sup>9</sup>  
 Specific weight: 1,14 kg/dm<sup>3</sup>



Dimensions in mm

Prod. nr.	d	D	H	packing unit/pcs
2103050000000	3.2	5.5	1.2	500
2103090020000	3.7	9	2.0	500
2105090000000	5	9.5	2.0	500
2105140000000	5	14	1.5	500
2102200000000	10	20	4.0	500
2112240000000	12.5	24	1.0	100
2112300000000	12.5	30	1.0	100
2114450000000	14	45	4	100
2114240000000	14.5	24	4	100
2117260000000	17	26	5	100
2117300000000	17	30	3	100

**Temperature range:** for static loads: -60C to +120C  
for dynamics loads: -60C to +80C

**Material** nylon 6 natural color, other colors upon request



The recently developed KORREX hexagon nut caps, which offer the advantages referred to below, will without doubt find wide use in all branches of industry. These KORREX nut caps convert any hexagon nut into a dome nut without modifying the existing assembly or connection. The nut cap merely has to be pressed over the flats of the nut after the connection has been assembled.



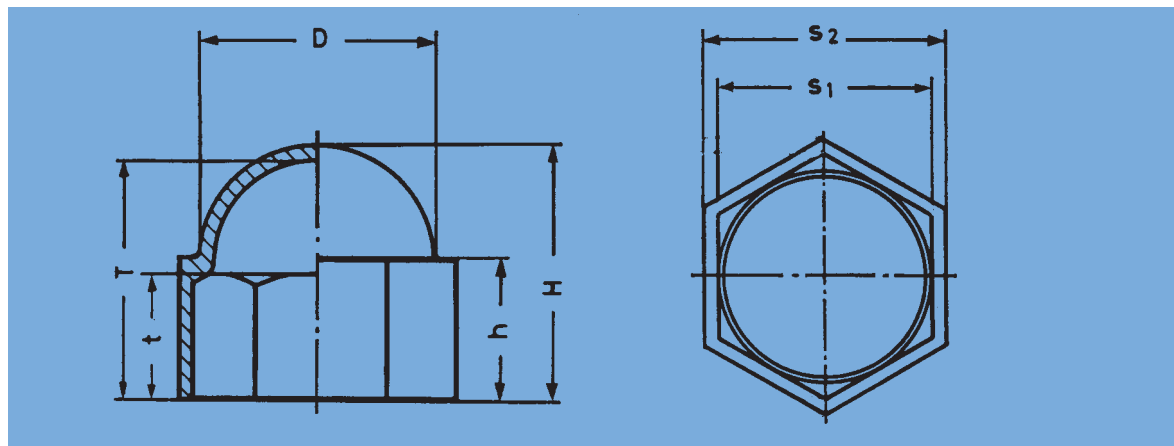
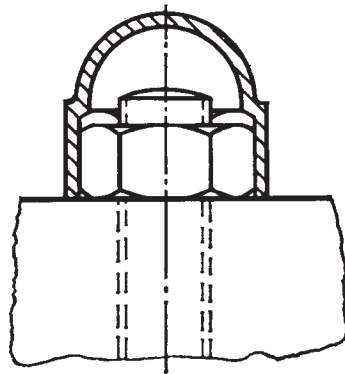
*By simple application to any hexagon nut the effect of a dome nut is obtained. KORREX hexagon nut caps can be used in conjunction with KORREX insulating bushes and DUBO retaining rings*

#### **Advantages:**

- Dome nuts are no longer necessary;
- The thread is sealed;
- Both bolt and nut are protected;
- Protection against corrosion;
- Saving in weight;
- Protection against accidents;
- Simple assembly;
- Attractive appearance;
- The nut caps can be used over and over again.

#### **Important:**

The KORREX nut caps, used in conjunction with KORREX insulating bushes and DUBO retaining rings, guarantee reliable insulation of bolted connections, at the same time securing the nut and bolt against loosening.



Dimensions in mm

Part.No.	suitable for hexagon nuts		H	h	T	t	D	S1	S2	packing unit/pcs
	Metric	Width across flats								
2204070000000	M 4	7	8,10	4,80	6,50	3,80	7,60	6,80	8,60	500
2204058000000	M 5	8	10,80	6,90	9,20	5,30	9,50	7,80	9,80	500
2206100000000	M 6	10	13,30	6,90	12,00	6,00	11,00	9,80	11,60	500
2207110000000	M 7	11	14,20	7,40	12,40	6,50	12,00	10,80	12,50	500
2208130000000	M 8	13	15,30	8,00	13,60	7,40	14,30	12,80	15,00	500
2210170000000	M 10	17	20,50	10,30	18,50	9,50	18,00	16,70	18,80	100
2212190000000	M 12	19	22,00	11,50	20,00	10,60	20,20	18,70	20,80	100
2214220000000	M 14	22	24,50	13,00	22,50	12,00	23,50	21,70	24,30	100
2216240000000	M 16	24	28,00	15,10	25,70	14,00	26,00	23,70	26,50	100
2220300000000	M 20	30	34,00	18,00	31,00	16,50	32,00	29,80	33,00	100
2222320000000	M 22	32	37,00	19,00	34,00	17,50	34,00	31,80	35,00	100
2224360000000	M24	36	41,00	20,00	38,00	18,50	38,00	35,80	39,50	100
2227410000000	M 27	41	47,00	22,00	44,00	20,50	43,00	40,80	44,50	100
2230460000000	M 30	46	52,00	24,00	49,00	22,50	48,00	45,80	49,50	100
2233500000000	M 33	50	57,50	36,00	52,50	30,50	53,00	49,00	54,00	100
2236550000000	M 36	55	62,20	38,00	62,40	36,00	57,00	55,50	58,70	100

Temperature range -50°C to + 110°C

Material polyethylene

Available in the following colours black (9017), white (9016) and grey (7042), state colour when ordering



KORREX rosettes can be used on all bolts and screws with countersunk head.

KORREX rosettes provide insulation and excellent surface-protection.

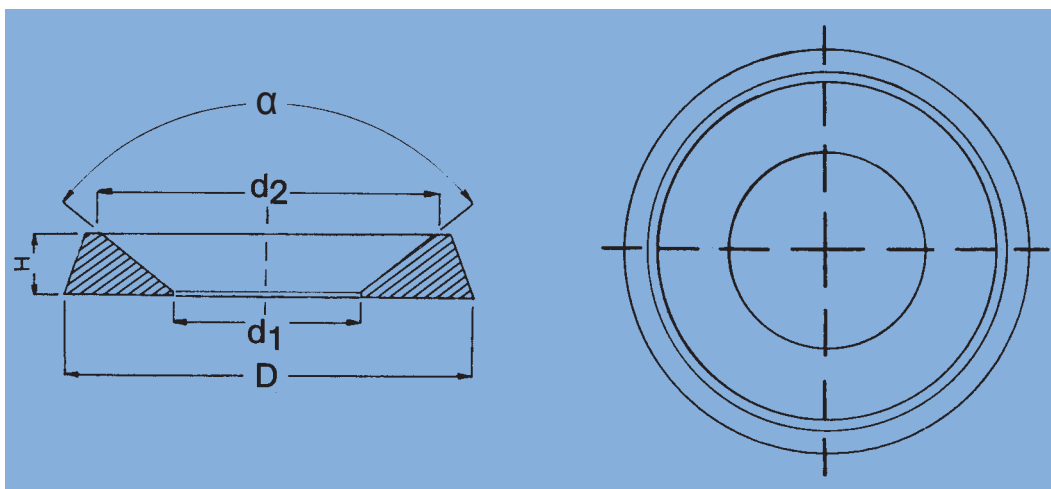
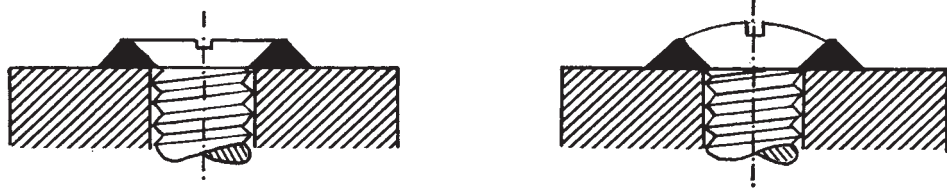
By applying these rosettes damage to the surface is avoided, damage which not only gives a bad appearance but which may also have unfavourable effects.



KORREX rosettes are indispensable for:

- ship- and yacht-building,
- enamelled parts of:
  - washing machines,
  - electrical- and gas-ranges,
  - dish-washers, etc.
- wooden furniture,
- upholstered furniture,
- painted wood and metals,
- plastics, both for industrial and domestic use.

Standard execution: natural. Special colours can be supplied to special order.



Dimensions in mm

Part.No.	Metric	d1	d2	D	H	α	packing unit/pcs
2303000000000	M 3	3,30	6,60	8,10	2,20	90°	500
2304000000000	M 4	4,10	6,60	7,60	2,00	90°	500
2305000000000	M 5	5,20	9,50	11,30	2,40	90°	500
2306000000000	M 6	6,30	11,60	13,40	2,60	90°	500
2308000000000	M 8	8,20	15,00	18,00	4,00	90°	500

**Temperature range** -60°C to + 120°C

**Material rings:** nylon 6

**Standard execution** natural; colours at special request.



The recently developed KORREX nut caps, which offer the advantages referred to below, will without doubt find wide use in all branches of industry. These KORREX nut caps convert any hexagon nut into a dome nut without modifying the existing assembly or connection.

The nut cap merely has to be pressed over the flats of the nut after the connection has been assembled.

*By simple application to any hexagon nut the effect of a dome nut is obtained. KORREX nuts caps can be used in conjunction with KORREX insulating bushes and DUBO retaining rings*



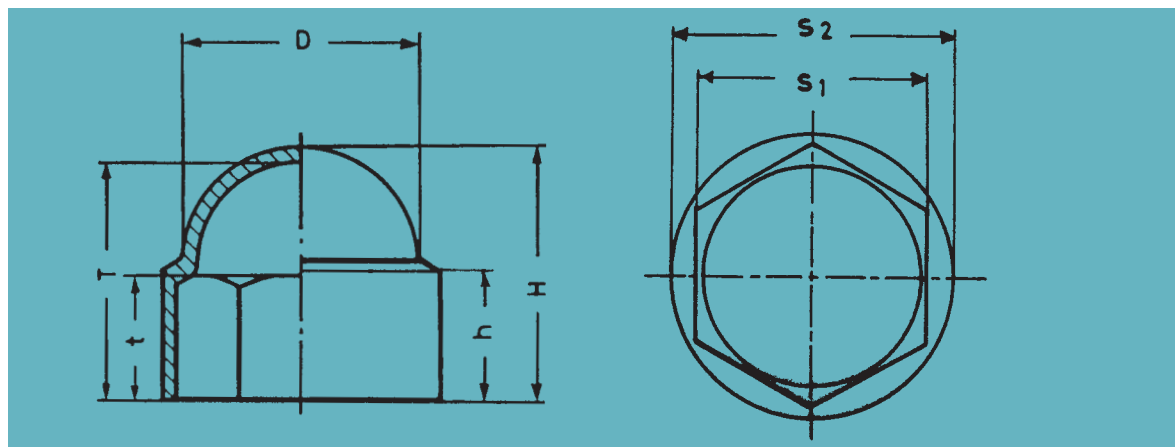
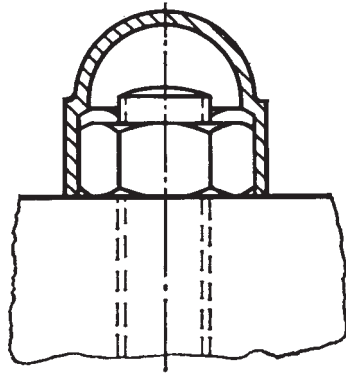
#### **Advantages:**

- Dome nuts are no longer necessary;
- The thread is sealed;
- Both bolt and nut are protected;
- Protection against corrosion;
- Saving in weight;
- Protection against accidents;
- Simple assembly;
- Attractive appearance;
- The nut caps can be used over and over again.

#### **Important:**

The KORREX nut caps, used in conjunction with KORREX insulating bushes and DUBO retaining rings, guarantee reliable insulation of bolted connections, at the same time securing the nut and bolt against loosening.





Dimensions in mm

Part.No.	suitable for hexagon nuts		H	h	T	t	D	S1	S2	packing unit/pcs
	Metric	Width across flats								
2406100000000	M 6	10	13,30	6,90	12,00	6,00	11,00	9,80	13,00	500
2408130000000	M 8	13	15,30	8,00	13,60	7,40	14,30	12,80	16,60	500
2410170000000	M 10	17	20,50	10,30	18,50	9,50	18,00	16,70	22,00	100
2412190000000	M 12	19	22,00	11,50	20,00	10,60	20,20	18,70	24,00	100
2416240000000	M 16	24	28,00	15,10	25,70	14,00	26,00	23,70	30,00	100

Temperature range -50°C to + 110°C

Material polyethylene

Available in the following colours black (9017), white (9016) and grey (7042), state colour when ordering

# DUBO and KORREX Products

## MARYLAND METRICS

P.O.Box 261 Owings Mills, Md 21117 USA  
ph: (410)358-3130 (800)638-1830  
fx: (410)358-3142 (800)872-9329

web: <http://mdmetric.com>  
email: [sales@mdmetric.com](mailto:sales@mdmetric.com)

[Click here for a RFQ \(request for quotation\) form](#)

# DUBO<sup>®</sup>

ORIGINAL

# WORLDWIDE

### Dubo Retaining Rings

Since 1951, the Dorned group has specialised in offering tailor-made solutions involving plastic materials.

From the outset, Dorned's speciality has been the creative treatment of plastics and techniques. Their activities consist of production, development, engineering and sales.

As far as the application of plastics is concerned, Dorned is involved from the use of plastics in metallic connections to insulation, right through to water purification.

Dorned's injection moulding factory produces the world famous DUBO retaining ring. Another important use of plastics is laminating documents.

In short, wherever plastic materials are involved, processed and/or creatively treated, Dorned is a reputable partner with a long and distinguished track record. In order to maintain the highly innovative character of the company, close ties exist with engineering companies machine factories on a joint venture basis for the development and construction of special machines.

There is an emphasis on close cooperation, which ensures well thought out technical solutions.

DUBO retaining rings

10



DUBO retaining rings for socket head screws

11



KORREX insulating bushes type II / M

14



KORREX insulating bushes type II / WW

14



KORREX insulating bushes type I / WW

14



DUBO toothed collar rings

15/16



KORREX snapcaps

17



KORREX protective caps for socket head screws

18



KORREX flat washers

21



KORREX hexagon nut caps

22



KORREX rosettes

23



KORREX round nut caps

24

