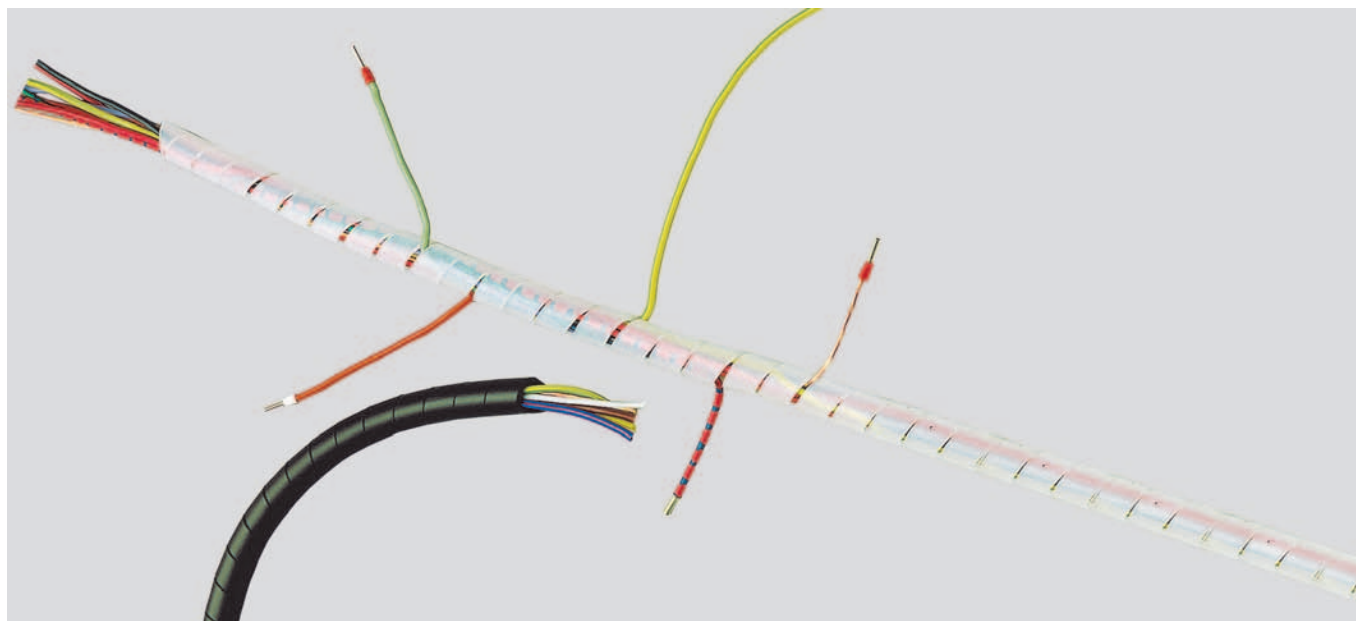


Plastic spirals KW



KW

Plastic helix made of polyethylene.
Protects wiring harnesses, wires and lines.
Bundles and binds single wires and provides mechanical protection for loosely installed or moving cables and lines.

Material

Polyethylene
Colour: transparent

Technical data

Temperature range: -50°C to +85°C

Note

Other materials or colours on request.

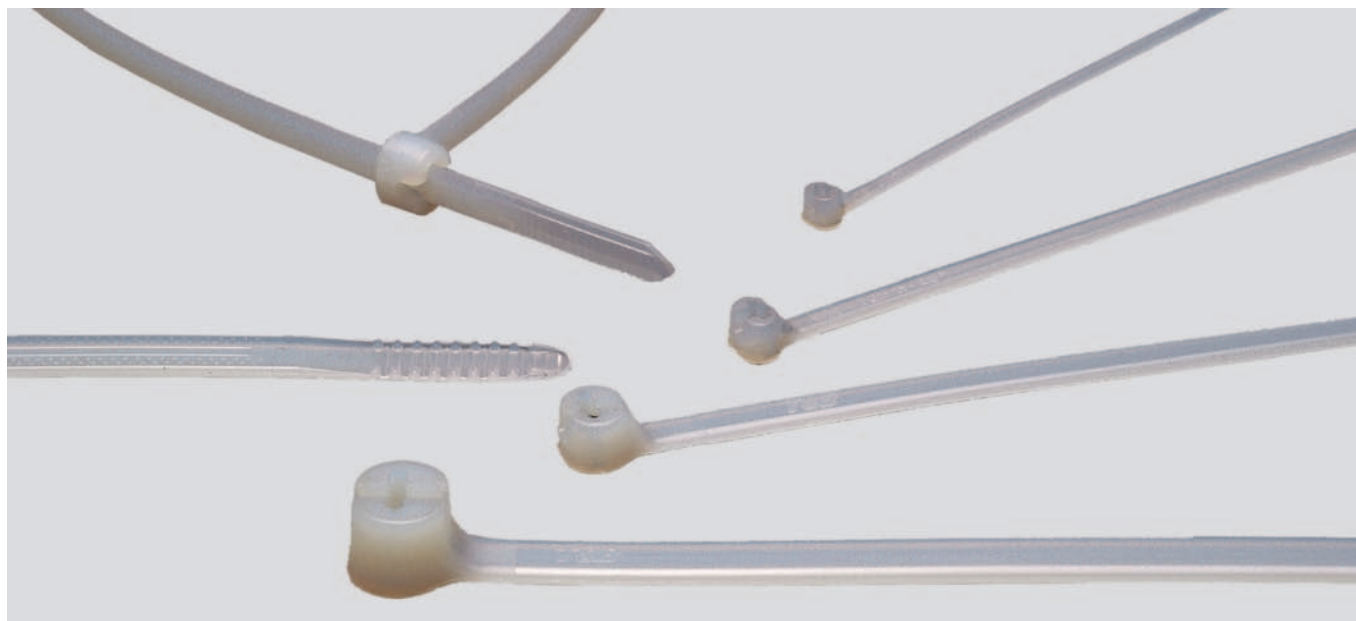
Properties

- Plant and machine construction
- Robot construction
- Automation technology
- Vehicle construction and shipbuilding
- Rail technology
- Installation technology
- Control cabinet construction

Part No.	Size	Colour	Bundle Ø mm	Per metres	net EUR/100 metres at acceptance of		
					up to 100	101 - 500	501 - 1000
91000	6,0	transparent	5,0 - 20,0	25	a. A.	a. A.	a. A.
91001	6,0	black	5,0 - 20,0	25	a. A.	a. A.	a. A.
96659	6,0	yellow	5,0 - 20,0	25	a. A.	a. A.	a. A.
96891	6,0	orange	5,0 - 20,0	25	a. A.	a. A.	a. A.
91002	12,0	transparent	10,0 - 40,0	25	a. A.	a. A.	a. A.
91003	12,0	black	10,0 - 40,0	25	a. A.	a. A.	a. A.
96658	12,0	yellow	10,0 - 40,0	25	a. A.	a. A.	a. A.
97042	12,0	orange	10,0 - 40,0	25	a. A.	a. A.	a. A.
96300	22,0	transparent	25,0 - 100,0	25	a. A.	a. A.	a. A.
96299	22,0	black	25,0 - 100,0	25	a. A.	a. A.	a. A.

o. r. = on request

Cable binders TY (with metal tongue, Thomas & Betts)



TY-RAP® transparent

TY-RAP® Cable binder with steel lug lock made of corrosion-resistant, non-magnetic steel.

This technology enables the binder to offer excellent binding properties even under the most rigorous conditions such as heat, cold, humidity etc. and makes it insensitive to vibrations and external influences.

Material

- halogen-free polyamide 6.6

Note

Brown, red, orange, yellow, green, purple or grey available on request.

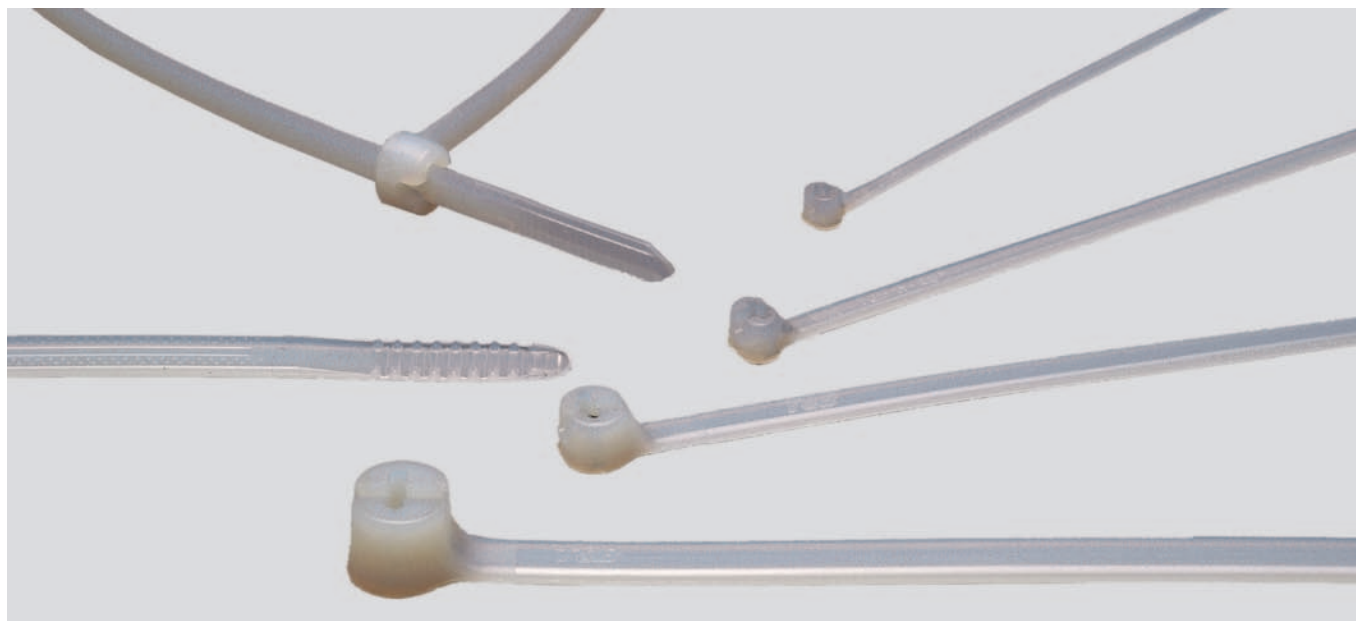
Technical data

Temperature range: -40°C to +85°C
Flammability acc. to UL 94 V2

Part No. transparent	Type T & B	Length mm	Width mm	Bundle Ø mm	Load capacity kp	Unit	net EUR/100 items at acceptance of		
							up to 1000	1001 - 5000	5001 - 10000
91051	TYB 23M	92,0	2,4	16,0	8,1	1000	o. r.	o. r.	o. r.
91055	TY 232M	200,0	2,4	50,0	8,1	1000	o. r.	o. r.	o. r.
91058	TY 234M	356,0	2,4	102,0	8,1	1000	o. r.	o. r.	o. r.
91061	TYB 24M	140,0	3,6	29,0	18,0	1000	o. r.	o. r.	o. r.
91064	TY 242M	208,0	3,6	50,0	18,0	1000	o. r.	o. r.	o. r.
91067	TY 26M	281,0	3,6	76,0	18,0	1000	o. r.	o. r.	o. r.
91070	TY 244M	368,0	3,6	103,0	18,0	1000	o. r.	o. r.	o. r.
91073	TYB 25M	186,0	4,8	45,0	22,5	1000	o. r.	o. r.	o. r.
91076	TY 253M	293,0	4,8	78,0	22,5	1000	o. r.	o. r.	o. r.
91079	TY 28M	360,0	4,8	102,0	22,5	1000	o. r.	o. r.	o. r.
91082	TY 272M	203,0	7,0	50,0	54,4	500	o. r.	o. r.	o. r.
91085	TY 27M	338,0	7,0	90,0	54,4	500	o. r.	o. r.	o. r.
91088	TY 29M	762,0	7,0	229,0	54,4	500	o. r.	o. r.	o. r.

o. r. = on request

Cable binders TY (with metal tongue, Thomas & Betts)



TY-RAP® transparent

TY-RAP® Cable binders with steel lug lock made of corrosion-resistant, non-magnetic steel.

This technology enables the binder to offer excellent binding properties even under the most rigorous conditions such as heat, cold, humidity etc. and makes it insensitive to vibrations and external influences.

Material

- halogen-free polyamide 6.6

Technical data

Temperature range: -40°C to +85°C
Flammability acc. to UL 94 V2

Application

Brown, red, orange, yellow, green, purple or grey available on request.

small pack

Part No. transparent	Type T & B	Length mm	Width mm	Bundle Ø mm	Load capacity kp	Unit	net EUR/100 items at acceptance of		
							up to 1000	1001 - 5000	5001 - 10000
91050	TY 5-23M	92,0	2,4	16,0	8,1	100	o. r.	o. r.	o. r.
91054	TY 5-232M	200,0	2,4	50,0	8,1	100	o. r.	o. r.	o. r.
91057	TY 5-234M	356,0	2,4	102,0	8,1	100	o. r.	o. r.	o. r.
91060	TY 5-24M	140,0	3,6	29,0	18,0	100	o. r.	o. r.	o. r.
91063	TY 5-242M	208,0	3,6	50,0	18,0	100	o. r.	o. r.	o. r.
91066	TY 5-26M	281,0	3,6	76,0	18,0	100	o. r.	o. r.	o. r.
91069	TY 5-244M	368,0	3,6	103,0	18,0	100	o. r.	o. r.	o. r.
91072	TY 5-25M	186,0	4,8	45,0	22,5	100	o. r.	o. r.	o. r.
91075	TY 5-253M	293,0	4,8	78,0	22,5	100	o. r.	o. r.	o. r.
91078	TY 5-28M	360,0	4,8	102,0	22,5	100	o. r.	o. r.	o. r.
91081	TY 5-272M	203,0	7,0	50,0	54,4	100	o. r.	o. r.	o. r.
91084	TY 5-27M	338,0	7,0	90,0	54,4	50	o. r.	o. r.	o. r.
91087	TY 5-29M	762,0	7,0	229,0	54,4	50	o. r.	o. r.	o. r.

o. r. = on request

Cable binders TY-MX (with metal tongue, Thomas & Betts)



TY-RAP® (UV-stabilised)

TY-RAP® Cable binder with steel lug lock made of corrosion-resistant, non-magnetic steel.

This technology enables the binder to offer excellent binding properties even under the most rigorous conditions such as heat, cold, humidity etc. and makes it insensitive to vibrations and external influences.

Material

- halogen-free polyamide 6.6

Note

Other colours and materials available on request.

Technical data

Temperature range: -40°C to +85°C
Flammability acc. to UL 94 V2

Part No. black	Type T & B	Length mm	Width mm	Bundle Ø mm	Load capacity kp	Unit	net EUR/100 items at acceptance of		
							up to 1000	1001 - 5000	5001 - 10000
91052	TYB 23MX	92,0	2,4	16,0	8,1	1000	o. r.	o. r.	o. r.
91056	TY 232MX	200,0	2,4	50,0	8,1	1000	o. r.	o. r.	o. r.
91059	TY 234MX	356,0	2,4	102,0	8,1	1000	o. r.	o. r.	o. r.
91062	TYB 24MX	140,0	3,6	29,0	18,0	1000	o. r.	o. r.	o. r.
91065	TY 242MX	208,0	3,6	50,0	18,0	1000	o. r.	o. r.	o. r.
91068	TY 26MX	281,0	3,6	76,0	18,0	1000	o. r.	o. r.	o. r.
91071	TY 244MX	368,0	3,6	103,0	18,0	1000	o. r.	o. r.	o. r.
91074	TYB 25MX	186,0	4,8	45,0	22,5	1000	o. r.	o. r.	o. r.
91077	TY 253MX	295,0	4,8	78,0	22,5	1000	o. r.	o. r.	o. r.
91080	TY 28MX	360,0	4,8	102,0	22,5	1000	o. r.	o. r.	o. r.
91083	TY 272MX	203,0	7,6	50,0	54,4	500	o. r.	o. r.	o. r.
91086	TY 27MX	338,0	7,6	90,0	54,4	500	o. r.	o. r.	o. r.
91089	TY 29MX	762,0	7,6	229,0	54,4	500	o. r.	o. r.	o. r.

o. r. = on request

Cable binders TY-MX (with metal tongue, Thomas & Betts)



TY-RAP® (UV-stabilised)

TY-RAP® Cable binder with steel lug lock made of corrosion-resistant, non-magnetic steel.

This technology enables the binder to offer excellent binding properties even under the most rigorous conditions such as heat, cold, humidity etc. and makes it insensitive to vibrations and external influences.

Material

- halogen-free polyamide 6.6

Technical data

Temperature range: -40°C to +85°C
Flammability acc. to UL 94 V2

Note

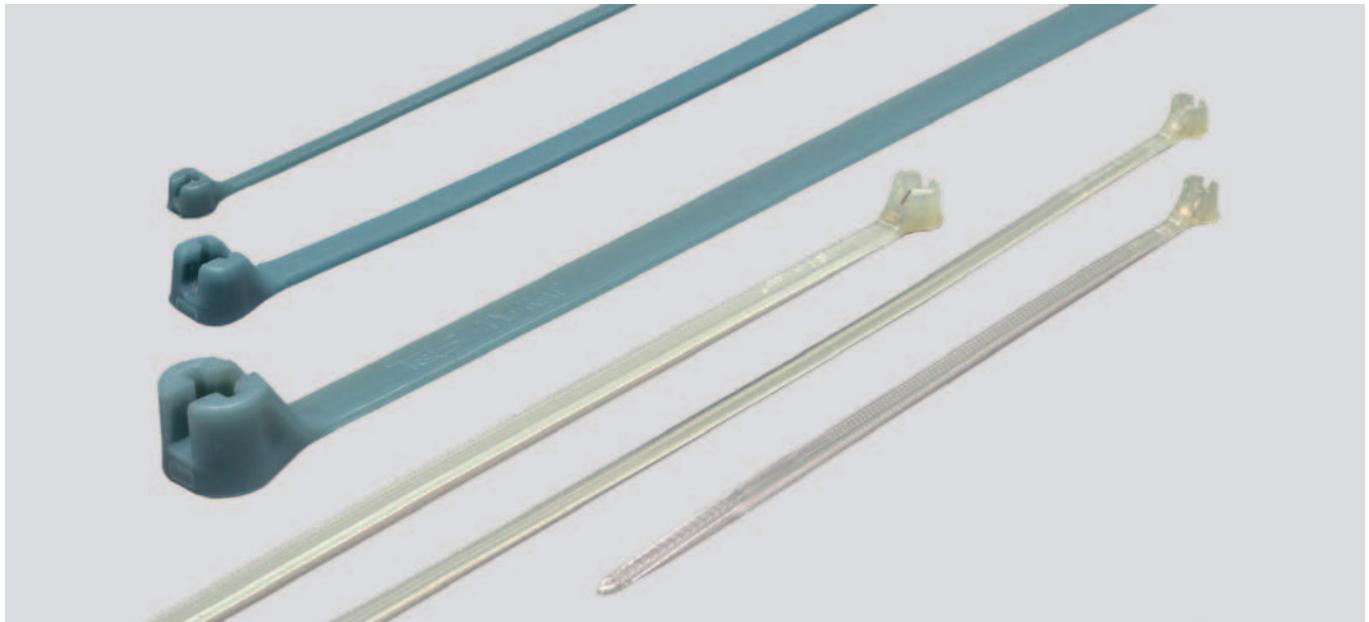
Other colours and materials available on request.

small pack

Part No. black	Type T & B	Length mm	Width mm	Bundle Ø mm	Load capacity kp	Unit	net EUR/100 items at acceptance of		
							up to 1000	1001 - 5000	5001 - 10000
97310	TY 5-23MX	92,0	2,4	16,0	8,1	100	o. r.	o. r.	o. r.
97311	TY 5-232MX	200,0	2,4	50,0	8,1	100	o. r.	o. r.	o. r.
97312	TY 5-234MX	356,0	2,4	102,0	8,1	100	o. r.	o. r.	o. r.
97313	TYB 5-24MX	140,0	3,6	29,0	18,0	100	o. r.	o. r.	o. r.
97314	TY 5-242MX	208,0	3,6	50,0	18,0	100	o. r.	o. r.	o. r.
97436	TY 5-26MX	281,0	3,6	76,0	18,0	100	o. r.	o. r.	o. r.
97437	TY 5-244MX	368,0	3,6	103,0	18,0	100	o. r.	o. r.	o. r.
93694	TY 5-25MX	186,0	4,8	45,0	22,5	100	o. r.	o. r.	o. r.
93695	TY 5-253MX	293,0	4,8	78,0	22,5	100	o. r.	o. r.	o. r.
93696	TY 5-28MX	360,0	4,8	102,0	22,5	100	o. r.	o. r.	o. r.
93697	TY 5-272MX	203,0	7,6	50,0	54,4	100	o. r.	o. r.	o. r.
93698	TY 5-27MX	338,0	7,6	90,0	54,4	50	o. r.	o. r.	o. r.
93699	TY 5-29MX	762,0	7,6	229,0	54,4	50	o. r.	o. r.	o. r.

o. r. = on request

Cable binders TYH/TYZ (with metal tongue, Thomas & Betts)



TY-RAP®

TY-RAP® Cable binder with steel lug lock made of corrosion-resistant, non-magnetic steel.

This technology enables the binder to offer excellent binding properties even under the most rigorous conditions such as heat, cold, humidity etc. and makes it insensitive to vibrations and external influences.

Material

- halogen-free
- H = polyamide 6.6 (heat-stabilised)
- Z = ETFE (heat-stabilised, radiation-resistant and chemical-resistant)

Technical data

TYH:
Temperature range: -40°C to +105°C

TYZ:
Temperature range: -55°C to +165°C

TYH:
Flammability acc. to UL 94 V2

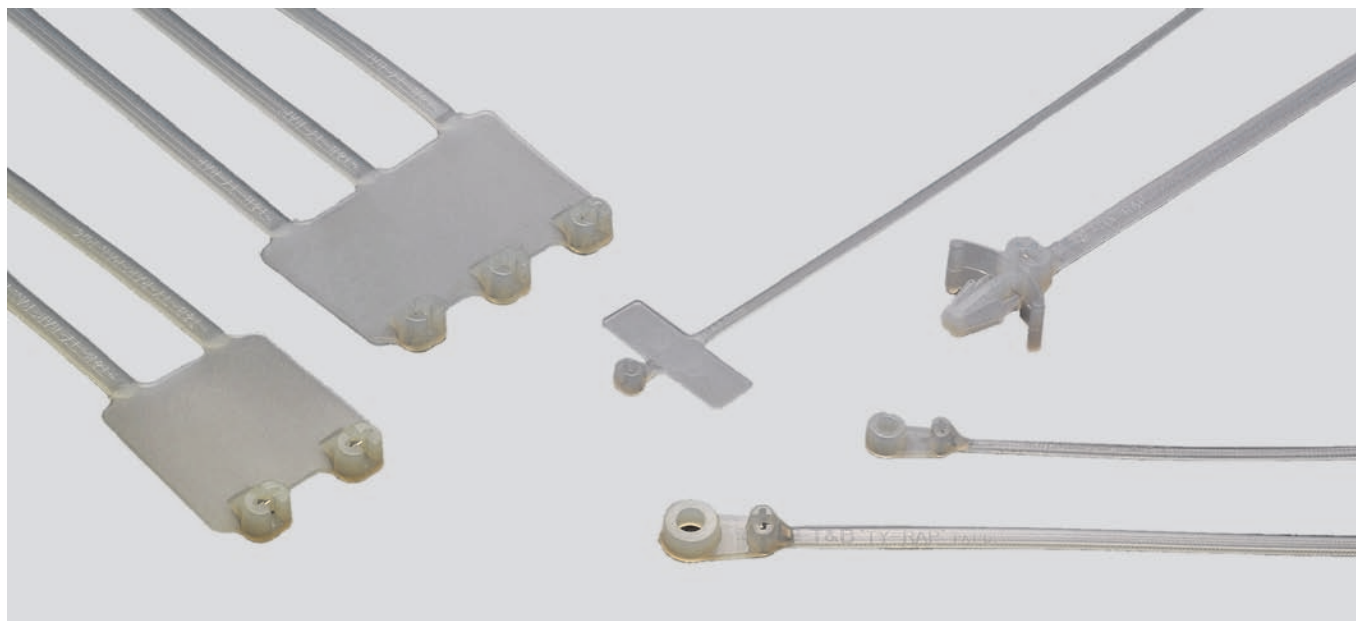
TYZ:
Flammability acc. to UL 94 V0

Part No. TYH	Type T & B	Colour	Length mm	Width mm	Bundle Ø mm	Load capacity kp	Unit	net EUR/100 items at acceptance of		
								up to 1000	1001 - 5000	5001 - 10000
97280	TYH 23M	transparent	92,0	2,4	16,0	8,1	1000	o. r.	o. r.	o. r.
96481	TYH 232M	transparent	200,0	2,4	50,0	8,1	1000	o. r.	o. r.	o. r.
96577	TYH 24M	transparent	140,0	3,6	29,0	18,0	1000	o. r.	o. r.	o. r.
98520	TYH 242M	transparent	208,0	3,6	50,0	18,0	1000	o. r.	o. r.	o. r.
97249	TYH 26M	transparent	281,0	3,6	76,0	18,0	1000	o. r.	o. r.	o. r.
97213	TYH 25M	transparent	186,0	4,8	45,0	22,5	1000	o. r.	o. r.	o. r.
98521	TYH 253M	transparent	293,0	4,8	78,0	22,5	1000	o. r.	o. r.	o. r.
96291	TYH 28M	transparent	360,0	4,8	102,0	22,5	1000	o. r.	o. r.	o. r.
98522	TYH 272M	transparent	203,0	7,0	50,0	54,4	500	o. r.	o. r.	o. r.
97154	TYH 27M	transparent	338,0	7,0	90,0	54,4	500	o. r.	o. r.	o. r.
97250	TYH 29M	transparent	762,0	7,0	229,0	54,4	500	o. r.	o. r.	o. r.

Part No. TYZ	Type T & B	Colour	Length mm	Width mm	Bundle Ø mm	Load capacity kp	Unit	net EUR/100 items at acceptance of		
								up to 1000	1001 - 5000	5001 - 10000
96909	TYZ 23M	aquamarine	92,0	2,4	16,0	8,1	1000	o. r.	o. r.	o. r.
96290	TYZ 25M	aquamarine	186,0	4,8	45,0	22,5	1000	o. r.	o. r.	o. r.
96724	TYZ 28M	aquamarine	360,0	4,8	102,0	22,5	1000	o. r.	o. r.	o. r.
94800	TYZ 27M	aquamarine	338,0	7,0	90,0	54,4	500	o. r.	o. r.	o. r.

o. r. = on request

Special cable binders (with metal tongue, Thomas & Betts)



TY-RAP® (special types)

TY-RAP® Cable binder with steel lug lock made of corrosion-resistant, non-magnetic steel.

This technology enables the binder to offer excellent binding properties even under the most rigorous conditions such as heat, cold, humidity etc. and makes it insensitive to vibrations and external influences.

Material

- halogen-free polyamide 6.6

Technical data

Temperature range: -40°C to +85°C
Flammability acc. to UL 94 V2

construction with assembly hole

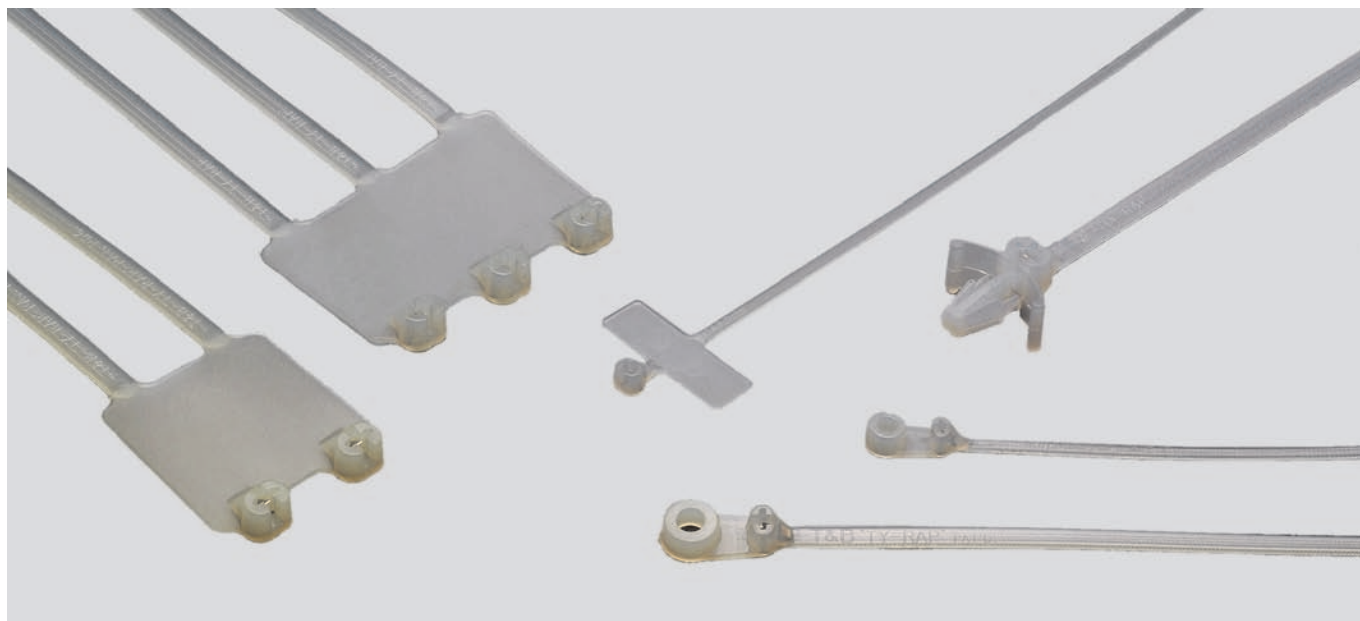
Part No.	Type T & B	Colour	Length mm	Width mm	Bundle Ø mm	Load capacity kp	Hole Ø mm	Field W x H	Unit	net EUR/100 items at acceptance of		
										up to 1000	1001 - 5000	5001 - 10000
91093	TY 33M	transparent	101,0	2,4	16,0	8,1	2,8	-	1000	o. r.	o. r.	o. r.
91094	TY 34M	transparent	152,0	3,6	29,0	18,0	4,2	-	1000	o. r.	o. r.	o. r.
91095	TY 635M	transparent	198,0	4,8	45,0	22,5	3,5	-	1000	o. r.	o. r.	o. r.
91096	TY 35M	transparent	198,0	4,8	45,0	22,5	4,8	-	1000	o. r.	o. r.	o. r.
91098	TY 37M	transparent	354,0	7,6	90,0	54,4	6,3	-	500	o. r.	o. r.	o. r.

construction with insert clip

Part No.	Type T & B	Colour	Length mm	Width mm	Bundle Ø mm	Load capacity kp	Hole Ø mm	Field W x H	Unit	net EUR/100 items at acceptance of		
										up to 1000	1001 - 5000	5001 - 10000
91103	TY 38M	transparent	197,0	4,8	45,0	22,5	-	-	1000	o. r.	o. r.	o. r.

o. r. = on request

Special cable binders (with metal tongue, Thomas & Betts)



TY-RAP® Cable binders with steel lug lock made of corrosion-resistant, non-magnetic steel.

This technology enables the binder to offer excellent binding properties even under the most rigorous conditions such as heat, cold, humidity etc. and makes it insensitive to vibrations and external influences.

Material

- halogen-free polyamide 6.6

Note

TY-RAP® (special types)

Technical data

Temperature range: -40°C to +85°C
Flammability acc. to UL 94 V2

construction with marking field below the classified header

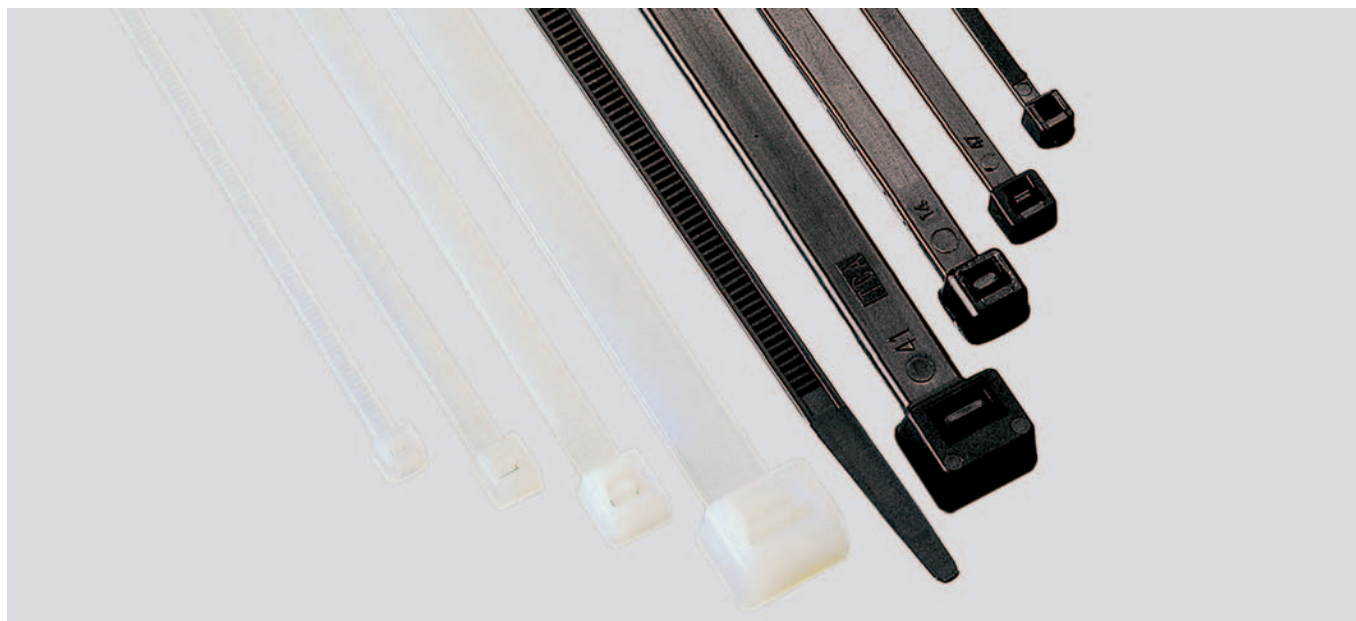
Part No.	Type T & B	Colour	Length mm	Width mm	Bundle Ø mm	Load capacity kp	Hole Ø mm	Field W x H	Unit	net EUR/100 items at acceptance of		
										up to 1000	1001 - 5000	5001 - 10000
91108	TY 51M	transparent	92,0	2,4	16,0	8,1	-	25 x 8	500	o. r.	o. r.	o. r.
91109	TY 512M	transparent	210,0	2,4	51,0	8,1	-	25 x 8	1000	o. r.	o. r.	o. r.
91113	TY 46MT	transparent	184,0	4,8	45,0	22,5	-	46 x 24	500	o. r.	o. r.	o. r.
91114	TY 46MF	transparent	184,0	4,8	45,0	22,5	-	63 x 24	500	o. r.	o. r.	o. r.
91111	TY 46M	transparent	184,0	4,8	45,0	22,5	-	22 x 13	1000	o. r.	o. r.	o. r.
91112	TY 46MD	transparent	184,0	4,8	45,0	22,5	-	30 x 25	500	o. r.	o. r.	o. r.
91110	TY 48M	transparent	360,0	4,8	102,0	22,5	-	54 x 13	1000	o. r.	o. r.	o. r.

construction with marking field above the classified header

Part No.	Type T & B	Colour	Length mm	Width mm	Bundle Ø mm	Load capacity kp	Hole Ø mm	Field W x H	Unit	net EUR/100 items at acceptance of		
										up to 1000	1001 - 5000	5001 - 10000
91106	TY 53M	transparent	102,0	2,4	16,0	8,1	-	20 x 9	1000	o. r.	o. r.	o. r.
91107	TY 532M	transparent	212,0	2,4	51,0	8,1	-	20 x 9	1000	o. r.	o. r.	o. r.

o. r. = on request

Cable binders T (with plastic tongue)



Cable binder

Cable binder with plastic tongue for directionality and mounting cables and lines.

Material

- halogen-free
- silicone-free polyamide 6.6

Technical data

Temperature range: -40°C to +80°C
Flammability acc. to UL 94 V2

Part No. transparent	Part No. black	Type	Length mm	Width mm	Bundle Ø mm	Load capacity kp	Unit	net EUR/100 items at acceptance of		
								up to 1000	1001 - 5000	5001 - 10000
91121	90130	T2-20	100,0	2,5	20,0	8,0	1000	o. r.	o. r.	o. r.
91122	90131	T2-50	200,0	2,5	50,0	8,0	1000	o. r.	o. r.	o. r.
91123	90132	T3-35	145,0	3,4	35,0	13,0	1000	o. r.	o. r.	o. r.
91124	90133	T3-50	210,0	3,4	50,0	13,0	1000	o. r.	o. r.	o. r.
91125	90134	T3-75	300,0	3,6	75,0	13,0	1000	o. r.	o. r.	o. r.
91130	90137	T5-85	185,0	4,6	50,0	22,0	1000	o. r.	o. r.	o. r.
91127	90136	T5-75	300,0	4,6	75,0	22,0	1000	o. r.	o. r.	o. r.
90158	90148	T5-100	380,0	4,7	100,0	22,0	100	o. r.	o. r.	o. r.
91126	90135	T5-50	200,0	4,8	50,0	22,0	1000	o. r.	o. r.	o. r.
90159	90149	T8-100	365,0	7,6	100,0	54,0	100	o. r.	o. r.	o. r.
96491	96492	T9-165	550,0	9,0	165,0	79,0	100	o. r.	o. r.	o. r.
97219	97223	T9-230	775,0	9,0	230,0	79,0	100	o. r.	o. r.	o. r.

small pack

Part No. transparent	Part No. black	Type	Length mm	Width mm	Bundle Ø mm	Load capacity kp	Unit	net EUR/100 items at acceptance of		
								up to 1000	1001 - 5000	5001 - 10000
90150	90140	T2-20	100,0	2,5	20,0	8,0	100	o. r.	o. r.	o. r.
90151	90141	T2-50	200,0	2,5	50,0	8,0	100	o. r.	o. r.	o. r.
90152	90142	T3-35	145,0	3,4	35,0	13,0	100	o. r.	o. r.	o. r.
90153	90143	T3-50	210,0	3,4	50,0	13,0	100	o. r.	o. r.	o. r.
90154	90144	T3-75	300,0	3,6	75,0	13,0	100	o. r.	o. r.	o. r.
90157	90147	T5-85	185,0	4,6	50,0	22,0	100	o. r.	o. r.	o. r.
90156	90146	T5-75	300,0	4,6	75,0	22,0	100	o. r.	o. r.	o. r.
90155	90145	T5-50	200,0	4,8	50,0	22,0	100	o. r.	o. r.	o. r.

o. r. = on request

Cable binders W (reusable)



Cable binders

Detachable cable binders for temporary assembly.
These cable binders can be opened without tools using only a handle.

Material

- halogen-free
- silicone-free polyamide 6.6

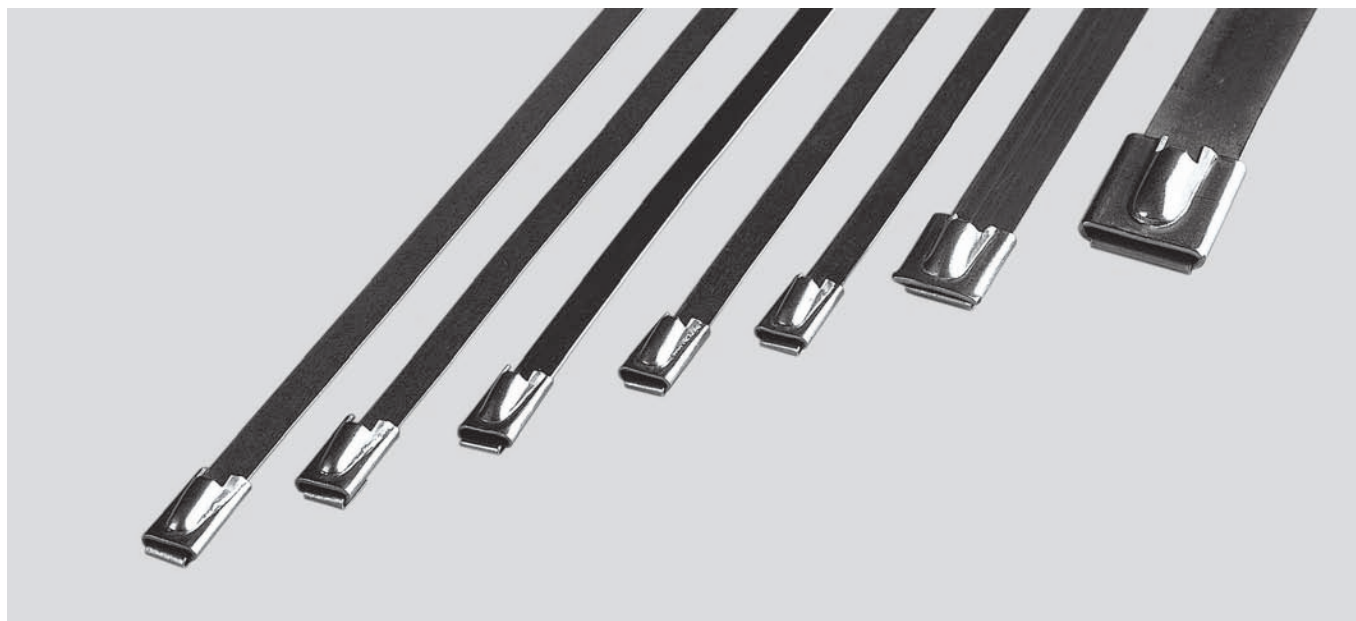
Technical data

Temperature range: -40°C to +80°C
Flammability acc. to UL 94 V2

Part No. black	Length mm	Width mm	Bundle Ø mm	Load capacity kp	Unit	net EUR/100 items at acceptance of		
						up to 1000	1001 - 5000	5001 - 10000
97633	120,0	7,6	26,0	22,0	100	o. r.	o. r.	o. r.
97634	200,0	7,6	50,0	22,0	100	o. r.	o. r.	o. r.
97635	300,0	7,6	80,0	22,0	100	o. r.	o. r.	o. r.
97636	370,0	7,6	102,0	22,0	100	o. r.	o. r.	o. r.

o. r. = on request

Cable binders E (stainless steel)



Cable binder

Cable binders made of stainless steel with ball lock for use in extreme conditions, such as high temperatures, aggressive environment, high tensile load.

Properties

Corrosion and radiation resistant, anti-magnetic, resistant to high temperatures and aggressive chemicals

Material

stainless steel 316

Note

Approvals: GL, DNV, Lloyd's, UL

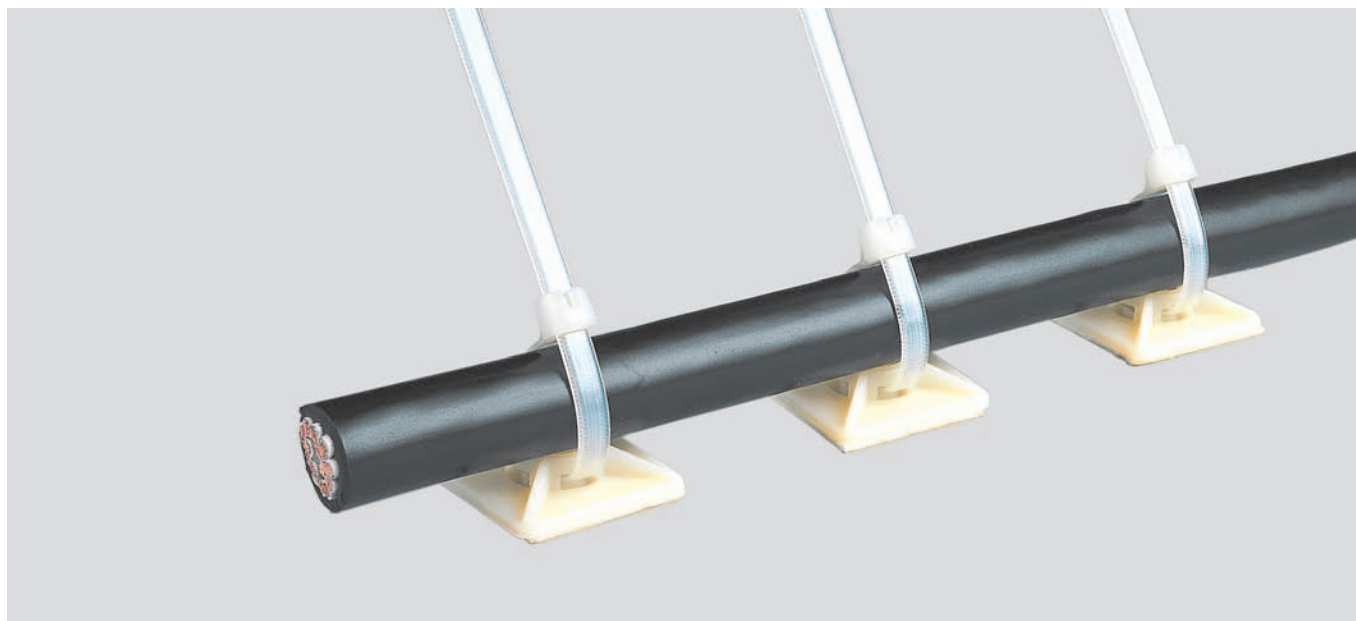
Technical data

Temperature range: -80°C to +538°C

Part No. black	Length mm	Width mm	Bundle Ø mm	Load capacity kp	Unit	net EUR/100 items at acceptance of		
						up to 1000	1001 - 5000	5001 - 10000
90900	150,0	4,6	44,0	44,5	100	o. r.	o. r.	o. r.
90901	200,0	4,6	50,0	44,5	100	o. r.	o. r.	o. r.
90902	290,0	4,6	75,0	44,5	100	o. r.	o. r.	o. r.
90903	360,0	4,6	102,0	44,5	100	o. r.	o. r.	o. r.
90904	200,0	7,9	50,0	111,2	100	o. r.	o. r.	o. r.
90905	290,0	7,9	75,0	111,2	100	o. r.	o. r.	o. r.
90906	360,0	7,9	102,0	111,2	100	o. r.	o. r.	o. r.
90907	520,0	7,9	152,0	111,2	100	o. r.	o. r.	o. r.

o. r. = on request

Mounting block BS



BS

BS mounting base for installing cables, lines, tubes and pipes.

The combination with cable binders makes for simple handling.

Application

Plant and machine construction Robot construction Automation technology Vehicle construction and shipbuilding Rail technology Installation technology Control cabinet construction

Material

polyamide 6.6
Colour: transparent

Note

Foamed self-adhesive foil adheres to smooth and grease-free surfaces and smooths out slightly uneven surfaces.

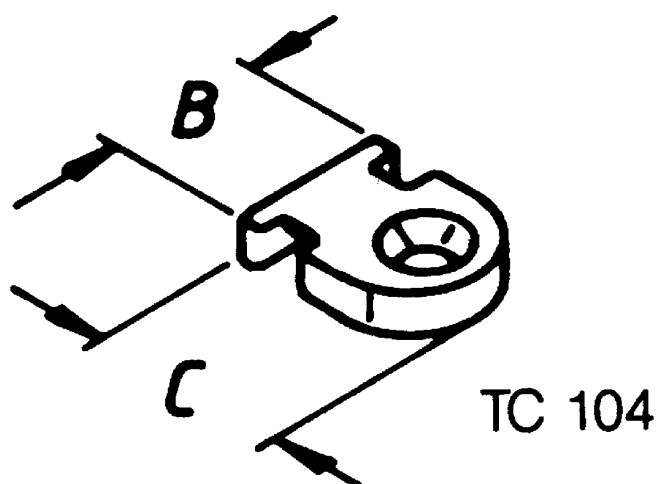
Technical data

Temperature range: -55°C to +85°C

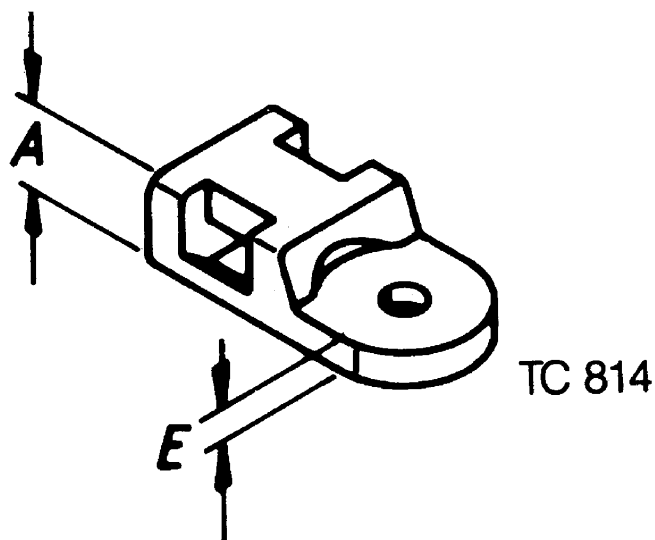
Part No. transparent	Type	Size L x W	Cable tie max. width mm	Load capacity kp	Unit	net EUR/100 items at acceptance of		
						up to 1000	1001 - 5000	5001 - 10000
91090	BS 1	20,0 x 20,0	4,0	2,4	100	o. r.	o. r.	o. r.
91091	BS 2	28,0 x 28,0	5,0	4,9	100	o. r.	o. r.	o. r.
91092	BS 3	27,0 x 27,0	5,5	-	100	o. r.	o. r.	o. r.

o. r. = on request

Mounting block TC (Thomas & Betts)



TC 104



TC 814

TC for band fastening

Small base for band fastening with countersunk screws, cylinder bolts or rivet assembly.

Material

polyamide 6.6
Colour: transparent

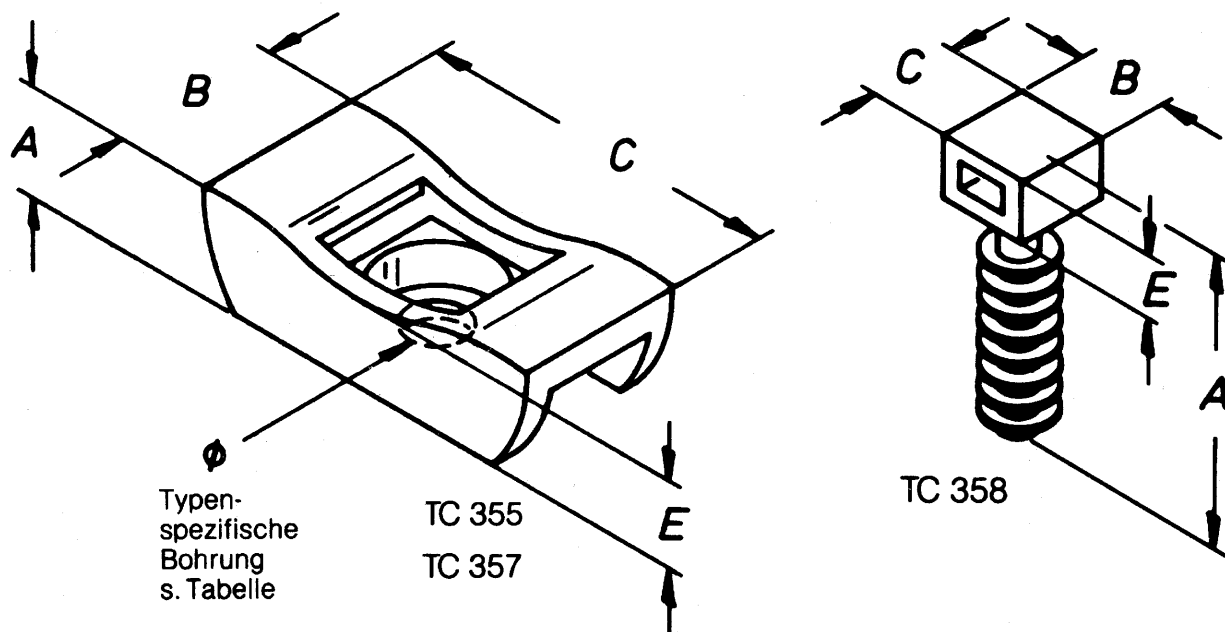
Technical data

Temperature range: -40°C to +85°C

Part No.	Type transparent	Fixing	A mm	B mm	C mm	D mm	E mm	F mm	Boring mm	Tie width max. mm	Unit	net EUR/100 items at acceptance of		
												up to 1000	1001 - 5000	5001 - 10000
91039	TC 102	Screw-in	3,2	13,0	19,0	-	-	-	4,2	4,8	100	o. r.	o. r.	o. r.
91040	TC 104	Screw-in	2,5	8,0	10,0	-	-	-	3,2	2,4	100	o. r.	o. r.	o. r.
91042	TC 112	Screw-in	5,0	10,0	19,0	-	2,0	-	4,2	4,8	100	o. r.	o. r.	o. r.
91043	TC 812	Screw-in	5,0	10,0	19,0	-	2,0	-	4,8	4,8	100	o. r.	o. r.	o. r.
93006	TC 814	Screw-in	5,0	10,0	19,0	-	2,0	-	3,2	4,8	100	o. r.	o. r.	o. r.

o. r. = on request

Mounting block TC (Thomas & Betts)



TC as mounting base

Mounting base for robust fastening of lines, pipes and tubes - outdoor applications included.

Material

polyamide 6.6
Colour: black

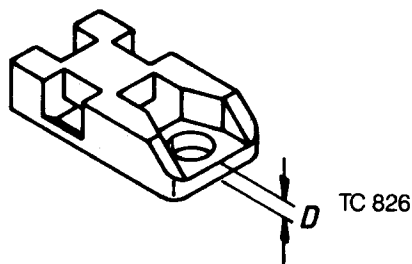
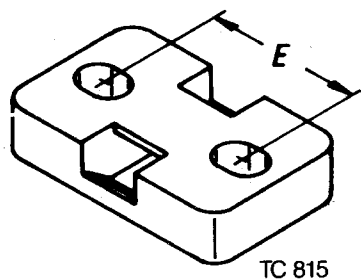
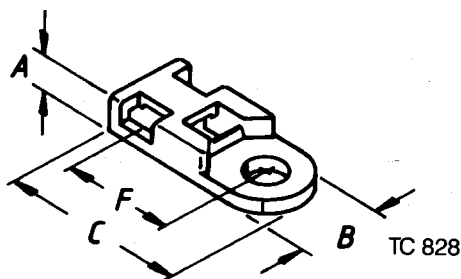
Technical data

Temperature range: -40°C to +85°C

Part No. black	Type	Fixing	A mm	B mm	C mm	D mm	E mm	F mm	Boring mm	Tie width max. mm	Unit	net EUR/100 items at acceptance of		
												up to 1000	1001 - 5000	5001 - 10000
91046	TC 355	Screw-in	16,0	19,1	44,0	-	11,0	-	4,3	12,7	25	o. r.	o. r.	o. r.
91047	TC 357	Screw-in	16,0	19,1	44,0	-	11,0	-	6,6	12,7	100	o. r.	o. r.	o. r.
91048	TC 358	For fastening with anchors	31,0	10,0	10,0	-	7,0	-	6,0	4,8	100	o. r.	o. r.	o. r.

o. r. = on request

Mounting block TC (Thomas & Betts)



TC as screw base

Mounting base for bolting or riveting. Cable binder can be inserted from 4 sides.

Material

polyamide 6.6
Colour: transparent

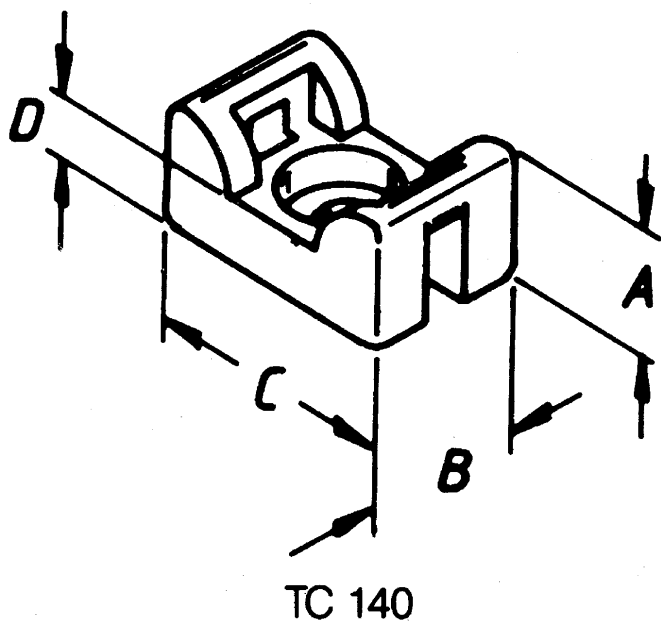
Technical data

Temperature range: -40°C to +85°C

Part No.	Type	Fixing	A mm	B mm	C mm	D mm	E mm	F mm	Boring mm	Tie width max. mm	Unit	net EUR/100 items at acceptance of		
												up to 1000	1001 - 5000	5001 - 10000
93007	TC 815	Screw-in	6,4	19,0	32,0	-	18,5	-	4,8	7,6	100	o. r.	o. r.	o. r.
93044	TC 826	Screw-in	5,7	13,0	24,0	-	-	-	4,2	4,8	100	o. r.	o. r.	o. r.
93045	TC 828	Screw-in	3,8	10,0	23,0	-	-	-	4,2	4,8	100	o. r.	o. r.	o. r.

o. r. = on request

Mounting block TC (Thomas & Betts)



TC with saddle

Mounting base with support saddle.

Material

polyamide 6.6
Colour: transparent

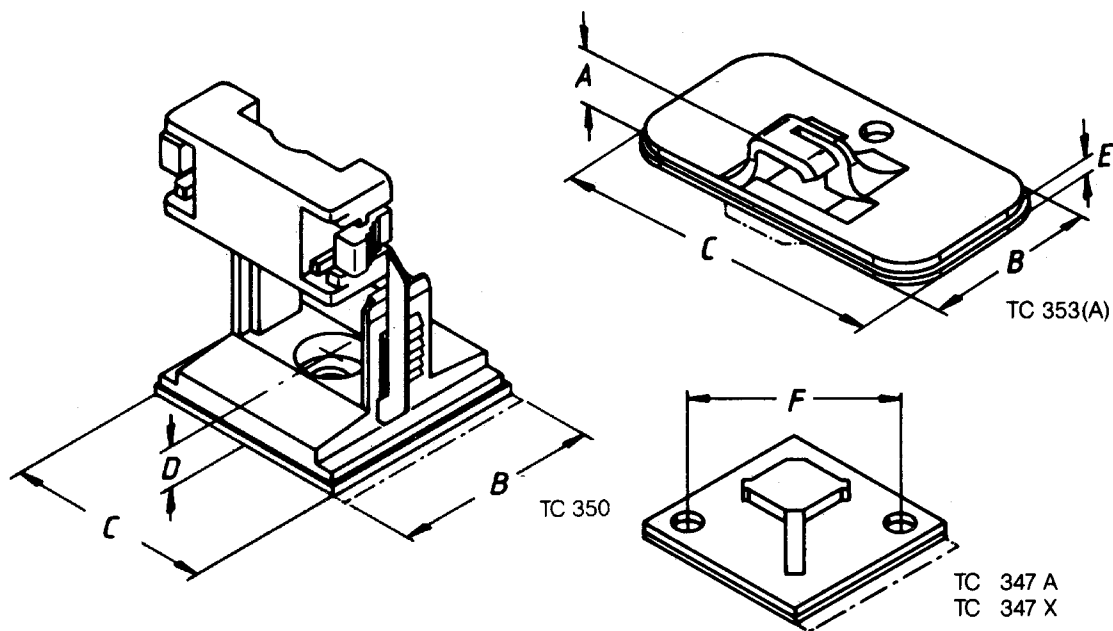
Technical data

Temperature range: -40°C to +85°C

Part No.	Type	Fixing	A mm	B mm	C mm	D mm	E mm	F mm	Boring mm	Tie width max. mm	Unit	net EUR/100 items at acceptance of		
transparent												up to 1000	1001 - 5000	5001 - 10000
93005	TC 140	Screw-in	7,0	8,7	14,2	3,6	-	-	2,8	2,4	100	o. r.	o. r.	o. r.
93003	TC 141	Screw-in	8,2	11,1	17,0	4,0	-	-	3,5	4,8	100	o. r.	o. r.	o. r.
93004	TC 142	Screw-in	11,0	14,2	23,4	5,2	-	-	5,2	7,6	100	o. r.	o. r.	o. r.

o. r. = on request

Mounting block TC (Thomas & Betts)



TC as adhesive base

Adhesive base with foamed adhesive foil for smoothing out slightly uneven surfaces. Adheres to smooth, grease-free surfaces.

Material

polyamide 6.6
Colour: transparent

Technical data

Temperature range: -40°C to +85°C

Part No.	Type transparent	Fixing	A mm	B mm	C mm	D mm	E mm	F mm	Boring mm	Tie width max. mm	Unit	net EUR/100 items at acceptance of		
												up to 1000	1001 - 5000	5001 - 10000
93000	TC 344 A	Self-adhesive	5,0	19,2	19,2	-	-	-	-	3,6	100	o. r.	o. r.	o. r.
93001	TC 347 A	Self-adhesive	8,7	29,0	29,0	-	-	-	-	7,6	100	o. r.	o. r.	o. r.
91036	TC 347 X	Screw-in	8,7	29,0	29,0	-	-	-	-	7,6	100	o. r.	o. r.	o. r.
93002	TC 353 A	Self-adhesive	9,0	26,5	52,0	-	-	-	-	4,8	100	o. r.	o. r.	o. r.
91037	TC 349A	Self-adhesive	14,5	-	25,0	2,7	-	2,7	-	-	100	o. r.	o. r.	o. r.
91038	TC 350	Screw-in	21,3	-	25,0	-	-	-	-	-	100	o. r.	o. r.	o. r.

o. r. = on request

Velcro® binders KLL/KLÖ



Velcro binders

Particularly suited for sensitive cables and lines that are to be bundled or fastened without kinking or pinching. Velcro binders exert only low pressure on the lines and lie evenly and flush. Suitable for up to 10,000 actuations in reusable bundling applications.

Material

KLL - polyamide sleeve / PE mushroom head tape / with punched hole
 KLÖ - polyamide web tape with hook and slings / with plastic eye

Technical data

Temperature range: -40°C to +85°C

Note

KLL - pre-punched on rolls
 KLÖ - Packed small in poly bags

KLL

Part No.	Colour	Length mm	Width mm	Bundle Ø mm	Unit	net EUR/100 items at acceptance of		
						up to 100	101 - 500	501 - 1000
93730	black	150,0	20,0	45,0	1000	a. A.	a. A.	a. A.
93731	black	200,0	20,0	60,0	750	a. A.	a. A.	a. A.
93732	black	330,0	20,0	100,0	450	a. A.	a. A.	a. A.

KLÖ

Part No.	Colour	Length mm	Width mm	Bundle Ø mm	Unit	net EUR/100 items at acceptance of		
						up to 100	101 - 500	501 - 1000
93735	red-black	195,0	25,0	55,0	10	a. A.	a. A.	a. A.
93736	red-black	240,0	25,0	70,0	10	a. A.	a. A.	a. A.
93737	red-black	360,0	25,0	110,0	10	a. A.	a. A.	a. A.

o. r. = on request