



Setting Standards

OEM Enclosures – PC or ABS

Series 11 with plain Sides

The enclosures are manufactured using the highest grade Thermoplastics, Polycarbonate, and ABS for demanding OEM applications. e.g. protecting electronic - & pneumatic components.

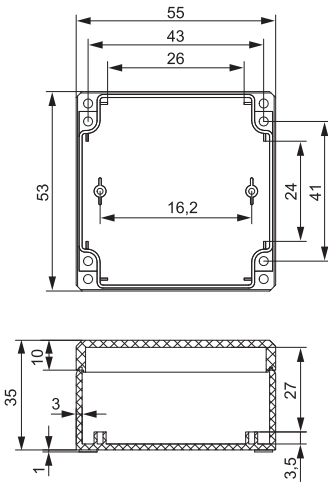


Conformity	
Polycarbonate Enclosure:	
ABS-Enclosure:	
Technical Informationen	
Protection according to EN 60529	IP 66 / 67
Impact rating according to EN 62262	PC: IK 08 (+35°C...-25°C) ABS: IK 07 (+35°C) IK 06 (-25°C)
Temperature range	PC: -50°C...+100 °C ABS: -40°C...+60 °C
Flammability	PC: UL746C 5V ABS: UL94HB
Material	
Bottom	ABS or Fiber reinforced Polycarbonate
Cover	ABS or Polycarbonate
Transparent cover	Polycarbonate
Cover Screws	Stainless Steel
Gasket	PUR (Polyurethane)
Standard color	
Bottom	Grey, RAL 7035
Cover	Grey, RAL 7035 or transparent



Small Enclosures made of Polycarbonate or ABS

53 x 55 x 36 mm



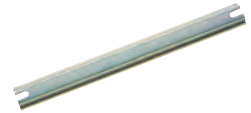
Polycarbonate	Part Number
Grey cover	3.110.0500.05
Transp. cover*	3.110.0500.12

ABS	Part Number
Grey cover	3.110.0500.29
Transp. cover*	3.110.0500.36

Assembly and machining services of your enclosures are available upon request. Drawings with additional dimensions can be furnished upon request.

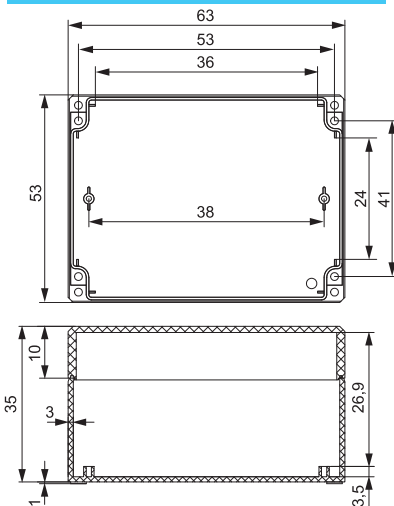
Cover screws, assembly screws and plugs are included.
*Transparent cover always out of Polycarbonate

Accessories	Part Number
DIN Rail, DIN 15	3.110.0509.37



Additional accessories on page 25.

53 x 65 x 36 mm



Polycarbonate	Part Number
Grey cover	3.110.0500.43
Transp. cover*	3.110.0500.50

ABS	Part Number
Grey cover	3.110.0500.67
Transp. cover*	3.110.0500.74

Assembly and machining services of your enclosures are available upon request. Drawings with additional dimensions can be furnished upon request.

Cover screws, assembly screws and plugs are included.
*Transparent cover always out of Polycarbonate

Accessories	Part Number
DIN Rail, DIN 15	3.110.0509.44

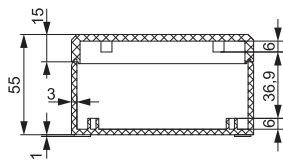
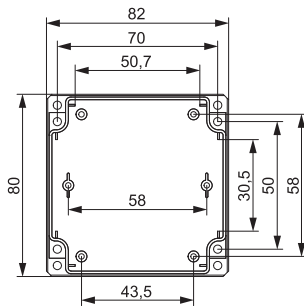
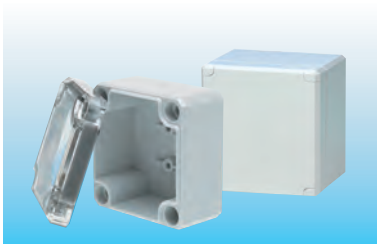


Additional accessories on page 25.



Small Enclosures made of Polycarbonate or ABS

80 x 82 x 56 mm

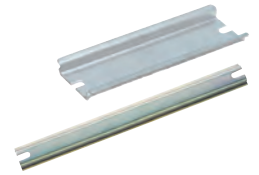
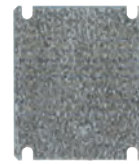


Polycarbonate	Part Number
Grey cover	3.110.0500.81
Transp. cover*	3.110.0500.98

ABS	Part Number
Grey cover	3.110.0501.04
Transp. cover*	3.110.0501.11

Assembly and machining services of your enclosures are available upon request.
Drawings with additional dimensions can be furnished upon request.

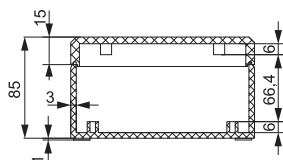
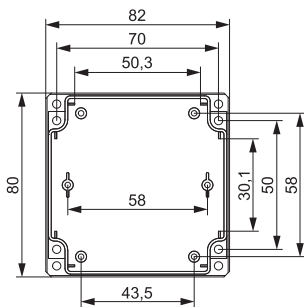
Accessories	Part Number
Mounting plate, 1,5 mm thick, galvanized steel	3.110.0508.21
DIN Rail, DIN 15	3.110.0509.51
DIN Rail, DIN 35	3.110.0509.68



Cover screws, assembly screws and plugs are included.
*Transparent cover always out of Polycarbonate

Additional accessories on page 25.

80 x 82 x 86 mm

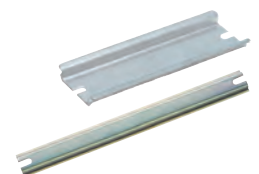
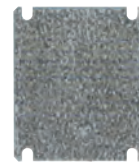


Polycarbonate	Part Number
Grey cover	3.110.0501.28
Transp. cover*	3.110.0501.35

ABS	Part Number
Grey cover	3.110.0501.42
Transp. cover*	3.110.0501.59

Assembly and machining services of your enclosures are available upon request.
Drawings with additional dimensions can be furnished upon request.

Accessories	Part Number
Mounting plate, 1,5 mm thick, galvanized steel	3.110.0508.21
DIN Rail, DIN 15	3.110.0509.51
DIN Rail, DIN 35	3.110.0509.68



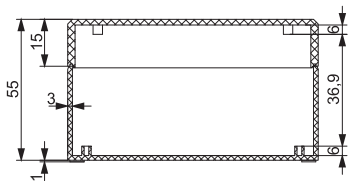
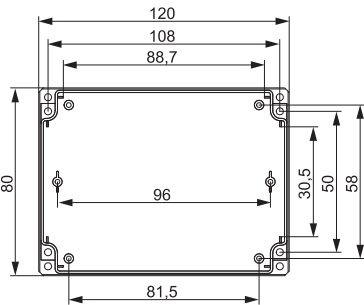
Cover screws, assembly screws and plugs are included.
*Transparent cover always out of Polycarbonate

Additional accessories on page 25.



Small Enclosures made of Polycarbonate or ABS

80 x 120 x 56 mm

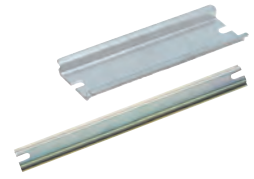


Polycarbonate	Part Number
Grey cover	3.110.0501.66
Transp. cover*	3.110.0501.73

ABS	Part Number
Grey cover	3.110.0501.80
Transp. cover*	3.110.0501.97

Assembly and machining services of your enclosures are available upon request. Drawings with additional dimensions can be furnished upon request.

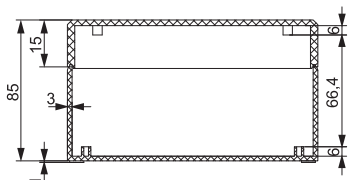
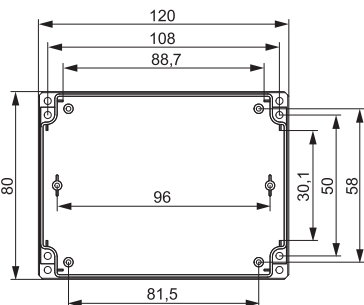
Accessories	Part Number
Mounting plate, 1,5 mm thick, galvanized steel	3.110.0508.38
DIN Rail, DIN 15	3.110.0509.75
DIN Rail, DIN 35	3.110.0509.82



Cover screws, assembly screws and plugs are included.
*Transparent cover always out of Polycarbonate

Additional accessories on page 25.

80 x 120 x 86 mm

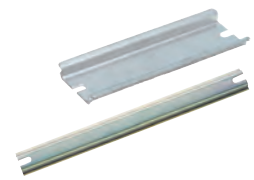


Polycarbonate	Part Number
Grey cover	3.110.0502.03
Transp. cover*	3.110.0502.10

ABS	Part Number
Grey cover	3.110.0502.27
Transp. cover*	3.110.0502.34

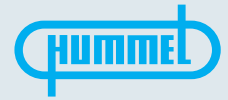
Assembly and machining services of your enclosures are available upon request. Drawings with additional dimensions can be furnished upon request.

Accessories	Part Number
Mounting plate, 1,5 mm thick, galvanized steel	3.110.0508.38
DIN Rail, DIN 15	3.110.0509.75
DIN Rail, DIN 35	3.110.0509.82



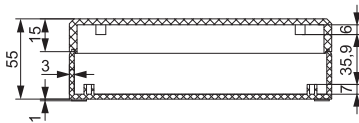
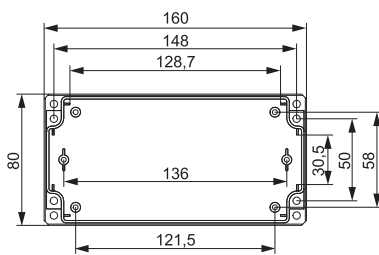
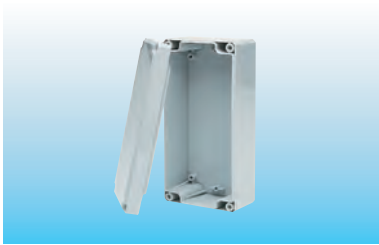
Cover screws, assembly screws and plugs are included.
*Transparent cover always out of Polycarbonate

Additional accessories on page 25.



Small Enclosures made of Polycarbonate or ABS

80 x 160 x 56 mm

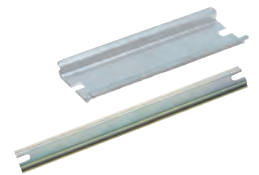


Polycarbonate	Part Number
Grey cover	3.110.0502.41
Transp. cover*	3.110.0502.58

ABS	Part Number
Grey cover	3.110.0502.65
Transp. cover*	3.110.0502.72

Assembly and machining services of your enclosures are available upon request. Drawings with additional dimensions can be furnished upon request.

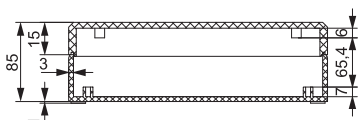
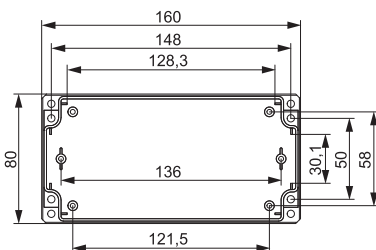
Accessories	Part Number
Mounting plate, 1,5 mm thick, galvanized steel	3.110.0508.45
DIN Rail, DIN 15	3.110.0509.99
DIN Rail, DIN 35	3.110.0510.02



Cover screws, assembly screws and plugs are included.
*Transparent cover always out of Polycarbonate

Additional accessories on page 25.

80 x 160 x 86 mm

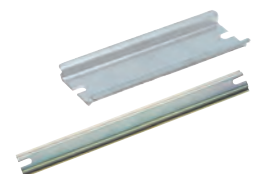


Polycarbonate	Part Number
Grey cover	3.110.0502.89
Transp. cover*	3.110.0502.96

ABS	Part Number
Grey cover	3.110.0503.02
Transp. cover*	3.110.0503.19

Assembly and machining services of your enclosures are available upon request. Drawings with additional dimensions can be furnished upon request.

Accessories	Part Number
Mounting plate, 1,5 mm thick, galvanized steel	3.110.0508.45
DIN Rail, DIN 15	3.110.0509.99
DIN Rail, DIN 35	3.110.0510.02



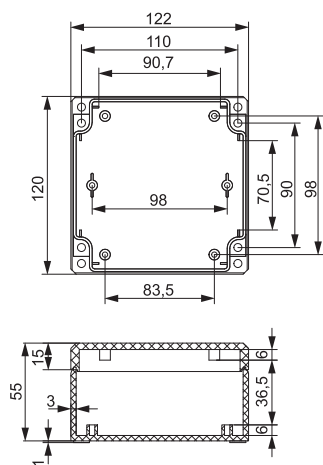
Cover screws, assembly screws and plugs are included.
*Transparent cover always out of Polycarbonate

Additional accessories on page 25.



Small Enclosures made of Polycarbonate or ABS

120 x 122 x 56 mm



Polycarbonate Part Number

Grey cover 3.110.0503.26

Transp. cover* 3.110.0503.33

ABS Part Number

Grey cover 3.110.0503.40

Transp. cover* 3.110.0503.57

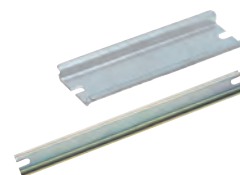
Assembly and machining services of your enclosures are available upon request. Drawings with additional dimensions can be furnished upon request.

Accessories Part Number

Mounting plate, 1,5 mm thick, galvanized steel 3.110.0508.52

DIN Rail, DIN 15 3.110.0509.75

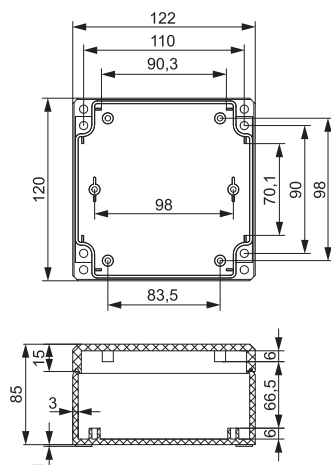
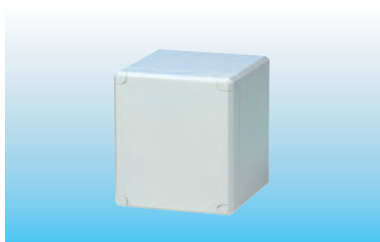
DIN Rail, DIN 35 3.110.0509.82



Cover screws, assembly screws and plugs are included.
*Transparent cover always out of Polycarbonate

Additional accessories on page 25.

120 x 122 x 86 mm



Polycarbonate Part Number

Grey cover 3.110.0503.64

Transp. cover* 3.110.0503.71

ABS Part Number

Grey cover 3.110.0503.88

Transp. cover* 3.110.0503.95

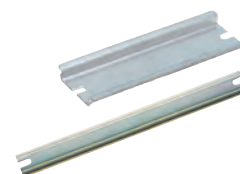
Assembly and machining services of your enclosures are available upon request. Drawings with additional dimensions can be furnished upon request.

Accessories Part Number

Mounting plate, 1,5 mm thick, galvanized steel 3.110.0508.52

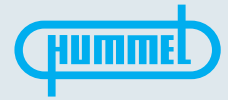
DIN Rail, DIN 15 3.110.0509.75

DIN Rail, DIN 35 3.110.0509.82



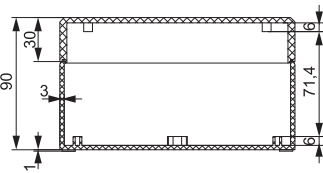
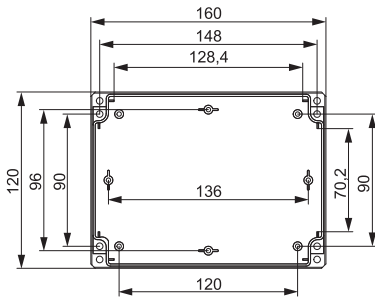
Cover screws, assembly screws and plugs are included.
*Transparent cover always out of Polycarbonate

Additional accessories on page 25.



Small Enclosures made of Polycarbonate or ABS

120 x 160 x 91 mm

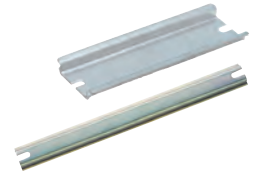


Polycarbonate	Part Number
Grey cover	3.110.0504.01
Transp. cover*	3.110.0504.18

ABS	Part Number
Grey cover	3.110.0504.25
Transp. cover*	3.110.0504.32

Assembly and machining services of your enclosures are available upon request. Drawings with additional dimensions can be furnished upon request.

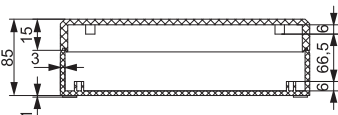
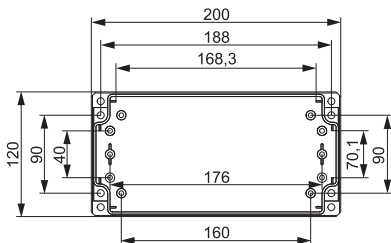
Accessories	Part Number
Mounting plate, 1,5 mm thick, galvanized steel	3.110.0508.69
DIN Rail, DIN 15	3.110.0509.99
DIN Rail, DIN 35	3.110.0510.02



Cover screws, assembly screws and plugs are included.
*Transparent cover always out of Polycarbonate

Additional accessories on page 25.

120 x 200 x 86 mm



Polycarbonate	Part Number
Grey cover	3.110.0504.87
Transp. cover*	3.110.0504.94

ABS	Part Number
Grey cover	3.110.0505.00
Transp. cover*	3.110.0505.17

Assembly and machining services of your enclosures are available upon request. Drawings with additional dimensions can be furnished upon request.

Accessories	Part Number
Mounting plate, 1,5 mm thick, galvanized steel	3.110.0508.76
DIN Rail, DIN 35	3.110.0510.57



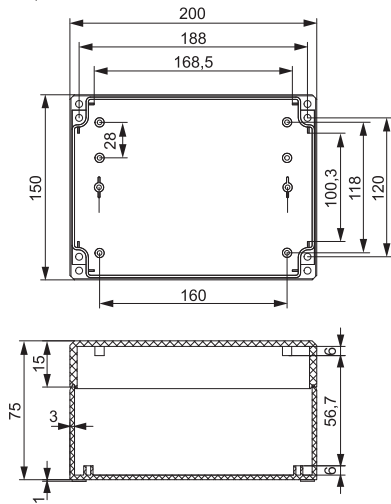
Cover screws, assembly screws and plugs are included.
*Transparent cover always out of Polycarbonate

Additional accessories on page 25.



Small Enclosures made of Polycarbonate or ABS

150 x 200 x 76 mm



Polycarbonate Part Number

Grey cover 3.110.0505.62

Transp. cover* 3.110.0505.79

ABS Part Number

Grey cover 3.110.0505.86

Transp. cover* 3.110.0505.93

Assembly and machining services of your enclosures are available upon request. Drawings with additional dimensions can be furnished upon request.

Accessories Part Number

Mounting plate, 1,5 mm thick, galvanized steel 3.110.0508.90

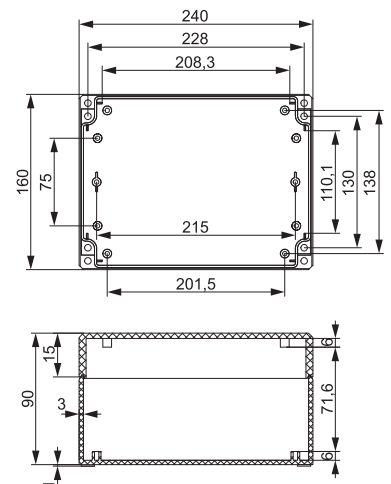
DIN Rail, DIN 35 3.110.0510.71



Cover screws, assembly screws and plugs are included.
*Transparent cover always out of Polycarbonate

Additional accessories on page 25.

160 x 240 x 91 mm



Polycarbonate Part Number

Grey cover 3.110.0506.09

Transp. cover* 3.110.0506.16

ABS Part Number

Grey cover 3.110.0506.23

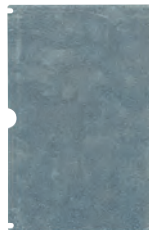
Transp. cover* 3.110.0506.30

Assembly and machining services of your enclosures are available upon request. Drawings with additional dimensions can be furnished upon request.

Accessories Part Number

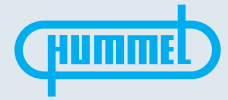
Mounting plate, 1,5 mm thick, galvanized steel 3.110.0509.06

DIN Rail, DIN 35 3.110.0561.20



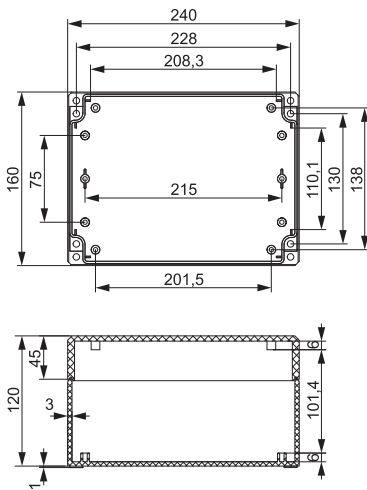
Cover screws, assembly screws and plugs are included.
*Transparent cover always out of Polycarbonate

Additional accessories on page 25.



Small Enclosures made of Polycarbonate or ABS

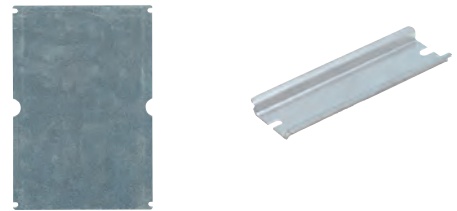
160 x 240 x 121 mm



Polycarbonate	Part Number
Grey cover	3.110.0506.47
Transp. cover*	3.110.0506.54

ABS	Part Number
Grey cover	3.110.0506.61
Transp. cover*	3.110.0506.78

Accessories	Part Number
Mounting plate, 1,5 mm thick, galvanized steel	3.110.0509.06
DIN Rail, DIN 35	3.110.0561.20

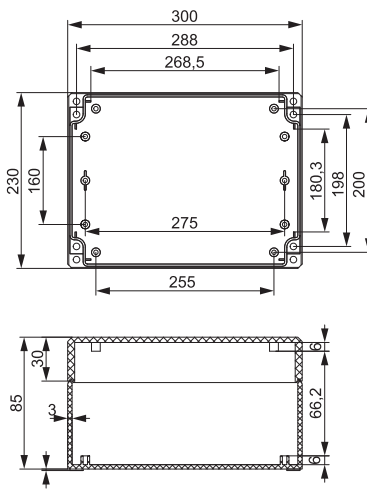


Assembly and machining services of your enclosures are available upon request. Drawings with additional dimensions can be furnished upon request.

Cover screws, assembly screws and plugs are included.
*Transparent cover always out of Polycarbonate

Additional accessories on page 25.

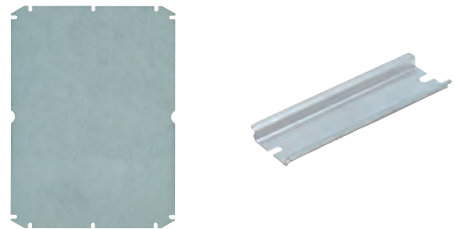
230 x 300 x 86 mm



Polycarbonate	Part Number
Grey cover	3.110.0507.22
Transp. cover*	3.110.0507.39

ABS	Part Number
Grey cover	3.110.0507.46
Transp. cover*	3.110.0507.53

Accessories	Part Number
Mounting plate, 1,5 mm thick, galvanized steel	3.110.0509.20
DIN Rail, DIN 35	3.110.0511.01



Assembly and machining services of your enclosures are available upon request. Drawings with additional dimensions can be furnished upon request.

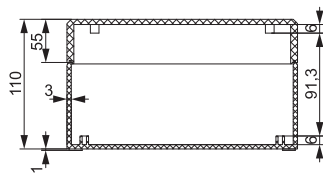
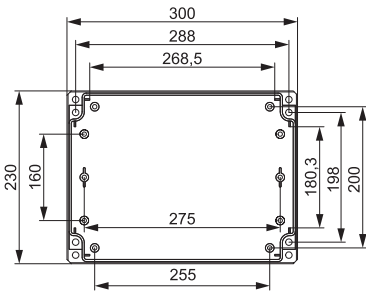
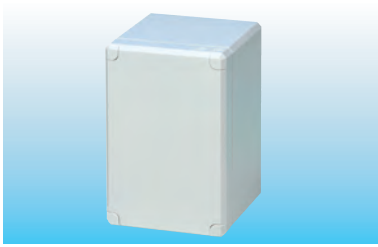
Cover screws, assembly screws and plugs are included.
*Transparent cover always out of Polycarbonate

Additional accessories on page 25.



Small Enclosures made of Polycarbonate or ABS

230 x 300 x 111 mm



Polycarbonate Part Number

Grey cover	3.110.0507.60
Transp. cover*	3.110.0507.77

ABS Part Number

Grey cover	3.110.0507.84
Transp. cover*	3.110.0507.91

Accessories Part Number

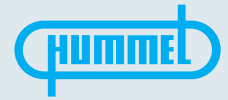
Mounting plate, 1,5 mm thick, galvanized steel	3.110.0509.20
DIN Rail, DIN 35	3.110.0511.01



Assembly and machining services of your enclosures are available upon request. Drawings with additional dimensions can be furnished upon request.

Cover screws, assembly screws and plugs are included.
*Transparent cover always out of Polycarbonate

Additional accessories on page 25.



Accessories for Series 11.

Series 11 – Accessories

Accessories

Hinges	Size mm	Part Number
Pair, polycarbonate	28 x 28 x 10	3.811.0561.44

Accessories

Outside Latches	Size mm	Part Number
Set, polycarbonate	33 x 21 x 9,5	3.811.0511.25

Accessories

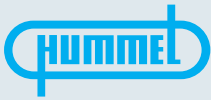
Cover Plugs	Size mm	Part Number
Set, polycarbonate	3 x 18	3.811.0511.49

Accessories

Cover and Mounting Screws	Size mm	Part Number
Cover screws, short	3 x 18	3.811.0511.63
Cover screws, set incl. 4 cover screws and 4 mounting screws	3 x 18	3.811.0512.93
Cover screws, set incl. 6 cover screws and 4 mounting screws	3 x 18	3.811.0513.09
Cover screws, long for over 100 mm deep models	3 x 50	3.811.0512.79
Cover screws, TORX	3 x 18	3.811.0512.86
Mounting screws for mounting plates and DIN rails	3 x 7	3.811.0511.56

Accessories

Pressure balance element	Size mm	Part Number
Pressure balance element, grey, Polyamid	M 12 x 1,5	3.213.1200.50
Locking Nut, grey, Polyamid	M 12 x 1,5	3.262.1200.50

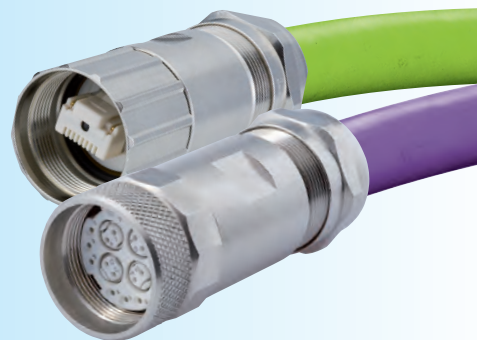


Setting Standards

Did you know ...

...that HUMMEL can offer you Circular Connectors?

- **Signal connectors** in the sizes:
 - M 16
 - M 23
 - M 27
- **Power connectors** in the sizes:
 - M 16
 - M 23
 - M 40 Gr. 1,5
- **Special connectors**
 - M 23 RJ 45
 - Profinet, for high-speed data applications
 - TWINTUS, cost efficient connections for small drives
- **All sizes are also available in the following versions**
 - push-pull version, for fast and secure mounting
 - stainless steel (INOX), for offshore, food and medical environments
 - overmould, available with or without kink protection
 - with direct conduit attachment
 - with multi-hole insert
 - with anti-kink spiral



CONNECTOR
4 SMALL DRIVES
TWINTUS

