

**MAZZER'S textile sleeve "TEXSLEEVE™" - PRODUCT DESCRIPTION & PERFORMANCES**

**Textile sleeve for the protection of people and machinery; for protecting and bundling hose, cables, wires, etc.**

- Targets:**
- 1- Protect hose from abrasion
  - 2- Protect machinery and people from the effects of hose bursting and pinhole occurrences.

- Production process:**
- 1- The nylon yarn is dense, with almost no air left among the strands
  - 2- The patented weaving system generates a very tight knit
  - 3- The final treatment causes a 5% shrinkage of the fabric

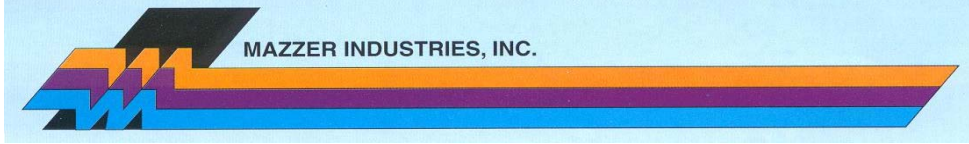
- Results:**
- 1- Texsleeve is very dense, yet not bulky
  - 2- It is highly abrasion resistant
  - 3- It has a high degree of burst resistance
  - 4- It is very effective in reducing the concentrated stream of pinhole leaks.
  - 5- It offers a good leakage containment
  - 6- It has a very smooth and sleek surface that makes it easy to slide it on even very long hoses



**"TEXSLEEVE" -- TECHNICAL DATA SHEET**  
 (Please, call our customer service (716-247-0311 dial 1) to receive a complete set of Laboratory Tests results)

PROPERTIES	SPEC.	DESCRIPTION
Abrasion	ISO 6945	Holds up to 50,000 cycles
Leakage	SAE J 343	Allows the pressure to build up to 100 psi
Conductivity	ISO 8031	Resistance between 3 and 5 x 10 E6 ohm/meter
Fire		Texsleeve is approved by MSHA for the use in the underground mines, # IC-207/01
Burst		Texsleeve was only partially damaged after a 30,000 psi hose's burst
Pinhole (pre-drilled 0.25" hole)		Texsleeve contained completely the sharp stream of oil passing through the hole, when the pressure was suddenly raised to 3,000 psi
Color:	Black (other color on special order)	
Melting Point:	374 - 410 F	
Working temperature (recommended)	-40 to 340 F (the sleeve loses 10 % of resistance at 340 Fahrenheit)	
Material	Polyamide 6	
Dimensional Stability :	Great resistance to sun, atmospheric agents and ageing	
Toxicity	Non toxic	

Chemical compatibility			
Gasoline	Very good	Benzene	Very good
Oil	Very good	Acetone	Very good
Mineral and vegetal oil	Very good	Ether	Very good
Ionic metallic solution	Very good	Carbon tetrachloride	Very good
Alcohols	Very good	Chlorine based solvent	Very good
Diluted bases	Very good	Mould, bacterium, moths	Very good
Diluted acids	Good		
Strong and concentrated acids as, i.e., Hcl or Formic Acid may have some corrosive action			



**MAZZER Textsleeve sizes chart**  
**The superior textile sleeve for hose protection**

Part number	Internal Round Diameter Inches	External Flattened Width Inches
-------------	--------------------------------	---------------------------------

**Sizes usually in stock**

TEXS17	0.67	1.18
TEXS20	0.79	1.34
TEXS23	0.91	1.54
TEXS25	0.98	1.65
TEXS27	1.06	1.77
TEXS31	1.22	2.05
TEXS36	1.42	2.24
TEXS40	1.57	2.60
TEXS44	1.73	2.83
TEXS47	1.85	3.03
TEXS55	2.17	3.50
TEXS60	2.36	3.82
TEXS73	2.87	4.65

**Sizes available upon demand, minimum quantity 9,000 feet**

TEXS33	1.30	2.17
TEXS39	1.54	2.52
TEXS43	1.69	2.80
TEXS53	2.09	3.39
TEXS65	2.56	4.13
TEXS66	2.60	4.21
TEXS75	2.95	4.76
TEXS85	3.35	5.35
TEXS93	3.66	5.87
TEXS100	3.94	6.30
TEXS112	4.41	7.05
TEXS123	4.94	7.75

Put Up: 100 and 300 ft rolls.

100' roll may contain a maximum of 2 pieces

300' roll may contain a maximum of three pieces

**We can customize Textsleeve with your logo.**

Min. quantity for private label: 900 ft each size

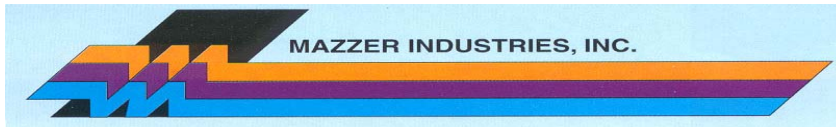
Colors different than black require a minimum quantity of 9,000 feet



**HOSE PROTECTION**  
**AND**  
**PEOPLE PROTECTION**

**MSHA IC-207/01**





**MAZZER'S plastic spiral "KOVERTEC™" PSA - PRODUCT DESCRIPTION & PERFORMANCES**

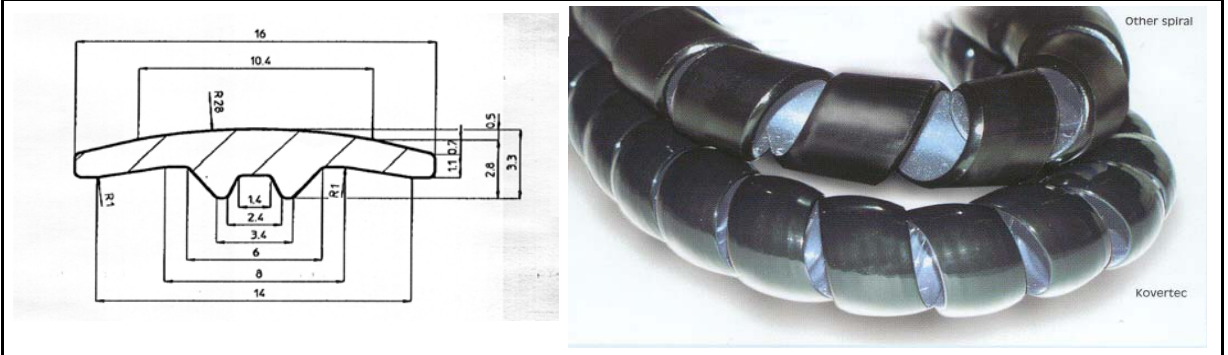
**Thermoplastics spiral for the protection and bundling of hoses, cables, wires, etc.**

**Characteristics:**

Thermoplastic extruded spiral with rounded external surface, smoothed edges and ribbed internal profile

**Performances:** Thanks to the above described characteristics, Mazzer Kovertec PSA:

- 1- Is light, yet crush resistant
- 2- Stays in place on the hose without sliding
- 3- Easily overlaps offering greater protection



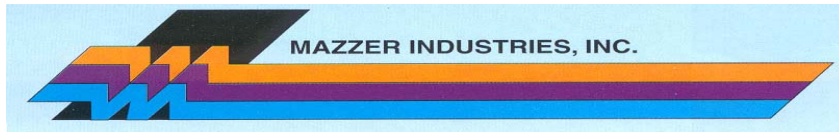
**TECHNICAL DATA SHEET**

PROPERTIES	SPEC	UNIT	VALUE
Specific weight	ASTM D792	gr./cubic-cm	1.27 - 1.29
Water absorption	ASTM D570	%	2.2
Rockwell hardness	ASTM D785	R-Range	75 - 120
Tensile strength	ASTM D638	N/ square-mm	20 - 37
Breaking Elongation	ASTM D638	%	10 - 30
Resist. to impact IZOD with indent	ASTM D256	Kg cm/cm	> 10
VICAT	ASTM D1526	Fahrenheit	149 - 212
Volume resistivity	ASTM D257	OHM/cm	10 exp10 -10exp13
Material	Cellulose acetate		
Temperature range:	-30 to +185 Fahrenheit		
Toxicity	Non Toxic		
Dimensional Stability :	Great resistance to sun and atmospheric agents		
Combustibility:	The product is not self-extinguishing. Speed of combustion at British Standard 1524-55 is 1 1/4" per minute		

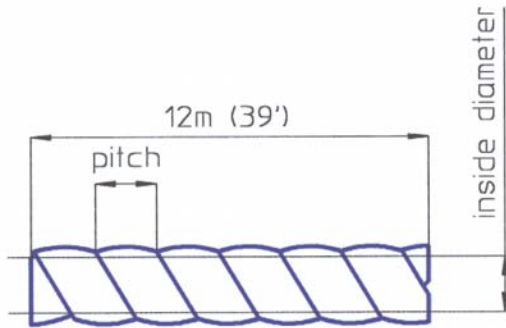
**Chemical compatibility**

Water	Very Good. It becomes more flexible after a prolonged exposition to moisture/water
Gasoline	Very good
Oil	Very good
mineral and vegetal oil	Very good
Ionic metallic solution	Very good
Superior alcohols	Very good
Acetone	poor
Methyl acetate	poor
Ethyl acetate	poor
Chlorine based solvent	poor
Strong acids as, i.e., Hcl and strong bases as, I.e., NaOH, may have some corrosive action	
Inferior alcohols as, for example, ethylic and butylic alcohol may, after a prolonged immersion, expand the product but they do not act as a solvent	





**MAZZER'S plastic spiral "KOVERTEC™" PSA**  
**Plastic spiral abrasion resistant --- Sizes chart**



PART #	ID	ID	pitch	q. x box
	Inches cent.	Inches fact.		
<b>*** Sold in length by 39' feet ***</b>				
PSA06MPO6	0.25	1/4	0.25	780'
PSA06MPO9	0.37	3/8	0.25	780'
PSA13MP12	0.50	1/2	0.51	780'
PSA13MP16	0.62	5/8	0.51	780'
PSA16MP19	0.75	3/4	0.62	780'
PSA16MP25	1.00	1	0.62	780'
PSA25MP28	1.10		0.98	390'
PSA25MP35	1.38	1 3/8	0.98	390'
PSA35MP47	1.75	1 3/4	1.40	390'
PSA35MP65	2.56		1.40	117'
PSA35MP80	3.15		1.40	78'
<b>*** NEW *** NEW *** NEW *** NEW *** NEW ***</b>				
PSA50MP100 *	3.95		2.00	78'

\* If not in stock, minimum quantity 780' and delivery in 45 days from order