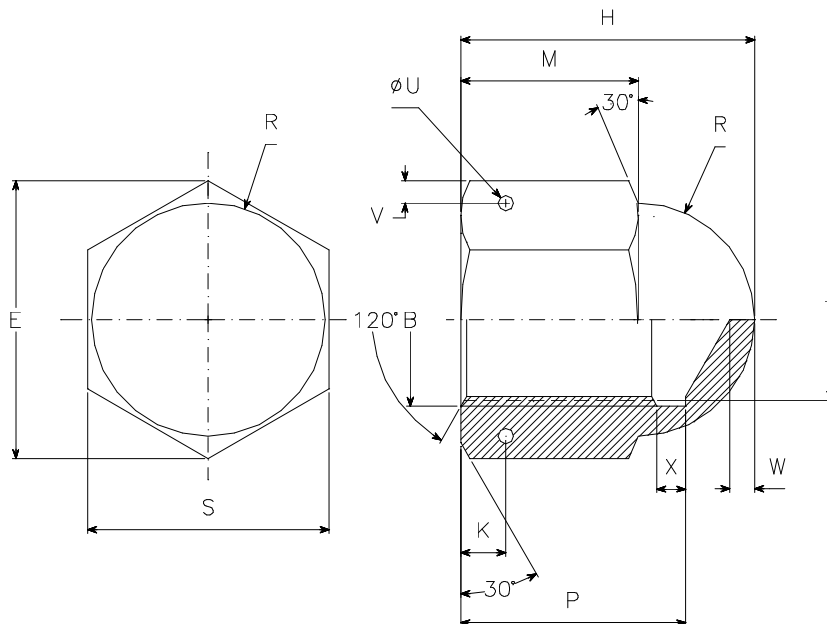


DC51



dimensions in mm

dimensions code	thread T	B ±0,2	E min.	H max	K ±0,5	M ref	P max.	R ±0,2	S h12	U -0 +0,2	V -0,3 +0	W min	X max
22F	M22x1,5 4H-5H	22,7	35,8	39,0	6,0	18,0	29,0	31,0	32,0	2,0	2,5	3,0	3,0

material code	material	finish	strenght class
DC51X	AISI 304	passivated	T.B.A.

THREAD: LN9163

MARKING: Producer symbol α

ASTORI CALL-OUT : material code - dimensions code. Example: DC51X-22F.

Riferimenti
DIN1587

**SPHERICAL CAP NUT
WITH SAFETY HOLES**

DC51