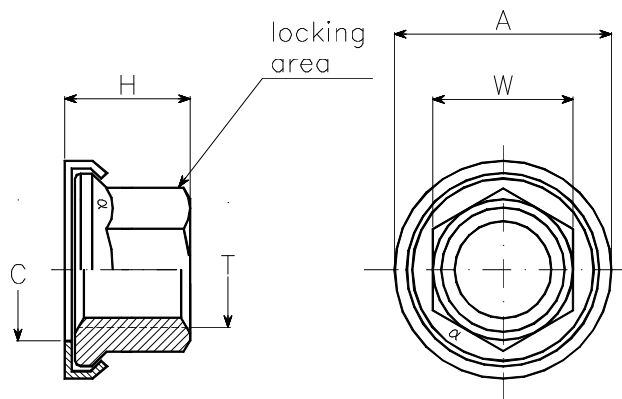


PDRS60 PDRS61



dimensioni in mm. *dimensions in mm.*

codice dimensioni <i>dimensions</i> code	filettatura T <i>thread T</i>	A max.	C min.	H max.	W h13	mass kg x 1000
30	10-32 UNJF-3B					
40	1/4 -28 UNJF-3B					
50	5/16 - 24 UNJF-3B	14,6	8,5	7,5	9,6	3,9
60	3/8 - 24 UNJF-3B	17,4	10,6	9,0	12,0	6,0

material code	material		finish		hardness HR _c	strenght class	temperature class
	washer	nut	washer	nut			
PDRS60L	W1.7214.4 steel	W1.7220.4 steel	cadmiatura	cadmiatura +MoS ₂	44 max.	1100 MPa	235° C
PDRS60C	25CD4	35CrMo4		cadmiatura			
PDRS61X			passivazione	passivazione+ MoS ₂ + green dot	28-36		650° C
PDRS61L	W1.4544.9 AISI321	W1.4944.4 alloy A286	passivazione	argentatura		425° C	
PDRS61A						650° C	

THREAD: according to MIL - S 8879.
 MARKING: Manufacturer identification symbol α
 PROCUREMENT SPEC. : MIL-N-25027
 ASTORI CALL-OUT: material code - dimensions code.

**DADO AUTOFRENANTE,ESAGONO RIDOTTO, RONDELLA INCORPORATA.
 NUT, SELF-LOCKING,REDUCED HEX,CAPTIVE WASHER**

PDRS60 PDRS61