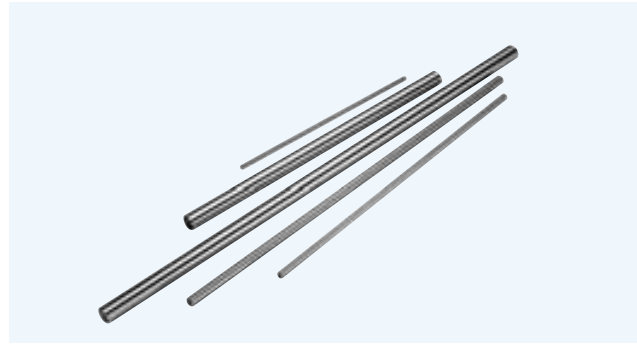
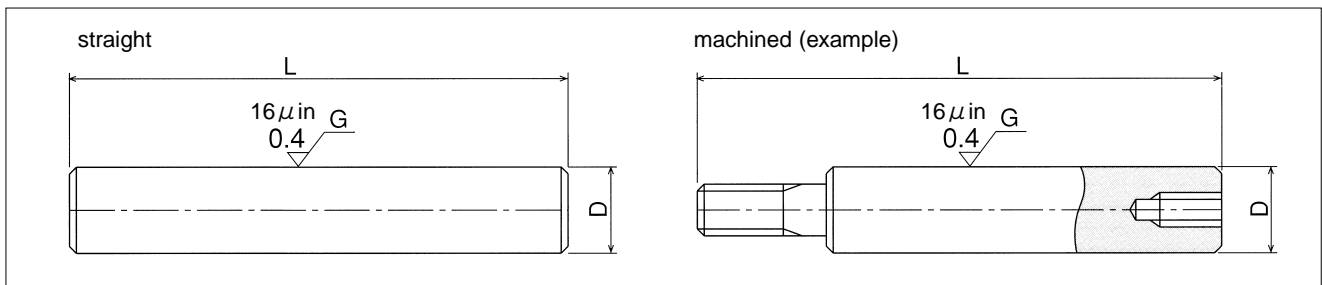


SNWS TYPE

— NB Inch Stainless Steel Shaft —



part number	structure
example	SNWS 24 h5 × 4000 mm
SNWS type	length (L)
size	outer diameter tolerance g5 when blank



part number	outer diameter		length L inch mm	mass ℓ bs/inch kg/m
	D inch mm	tolerance g5* inch/μm		
SNWS 4	1/4 6.350	-.0002 -.0004	3.94 100 ← → 23.62 600	0.014 0.25
SNWS 6	3/8 9.525	-.0005 -.0011	7.84 200 ← → 39.37 1000	0.031 0.55
SNWS 8	1/2 12.700	-.0002 -.0006	7.84 200 ← → 98.43 2500	0.056 0.98
SNWS10	5/8 15.875	-.0006 -.0014	7.84 200 ← → 118.11 3000	0.086 1.54
SNWS12	3/4 19.050	-.0003 -.0006	11.81 300 ← → 157.48 4000	0.125 2.22
SNWS16	1 25.400	-.0007 -.0016	11.81 300 ← → 157.48 4000	0.222 3.95
SNWS20	1-1/4 31.750	-.0004 -.0008	11.81 300 ← → 157.48 4000	0.420 6.16
SNWS24	1-1/2 38.100	-.0009 -.0020	15.75 400 ← → 157.48 4000	0.500 8.88
SNWS32	2 50.800	-.0004/-0.0009 -10/-23	19.69 500 ← → 157.48 4000	0.890 15.78

material : martensite stainless steel (equivalent to SUS440C)

1kg ≅ 2.205 ℓ bs

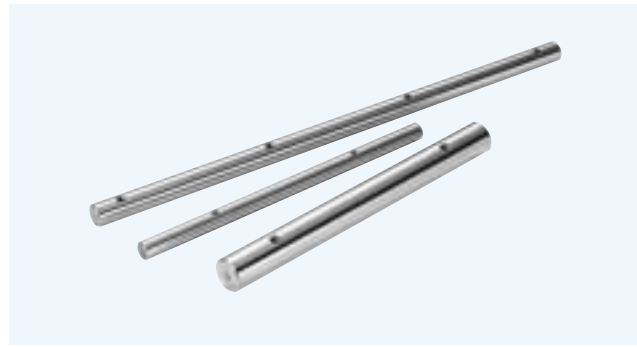
hardness : HV 653 (58HRC) or more

Tolerances other than *g5 are available upon request.

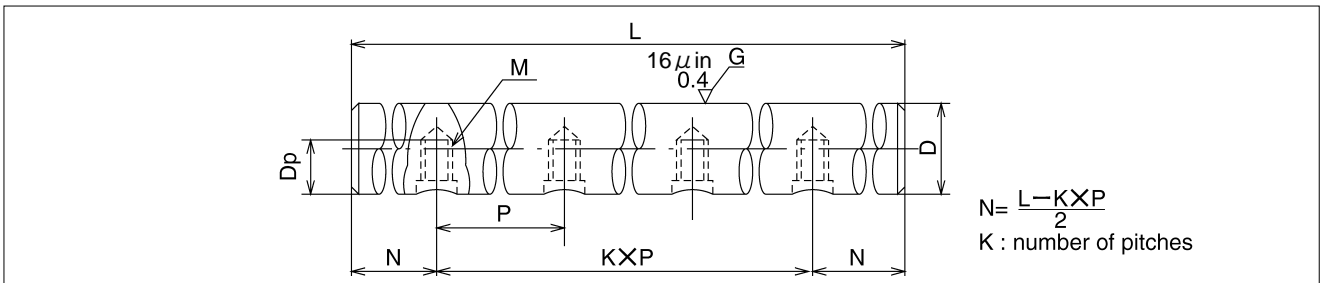
Longer length are also available.

SNW-PD

– NB Inch Pre-Drilled Shaft –



part number	structure
example	SNW 20 g5 × 72 inch- PD
SNW type	pre-drilled shaft
size	length (L) outer diameter tolerance



part number	outer diameter		pitch P inch/mm	bolt size M	tapped hole depth Dp inch/mm	maximum length L inch/mm
	D inch mm	tolerance g5* inch/μm				
SNW 8-PD	1/2 12.700	-.0002 -.0006	4 101.6	# 6-32	0.280 7.1	72 1,828.8
SNW10-PD	5/8 15.875	-6 -14		8-32	0.350 8.9	
SNW12-PD	3/4 19.050	-.0003 -.0006	6 152.4	10-32	0.400 10.2	
SNW16-PD	1 25.400	-7 -16		1/4-20	0.500 12.7	
SNW20-PD	1-1/4 31.750	-.0004 -.0008		5/16-18	0.650 16.5	
SNW24-PD	1-1/2 38.100	-9 -20	3/8-16	0.700 17.8		
SNW32-PD	2 50.800	-.0004/-0.0010 -10/-23	8 203.2	1/2-13	0.850 21.6	

material : high-carbon chromium bearing steel (SUJ2) .

hardness : HV 697 (60HRC) or more

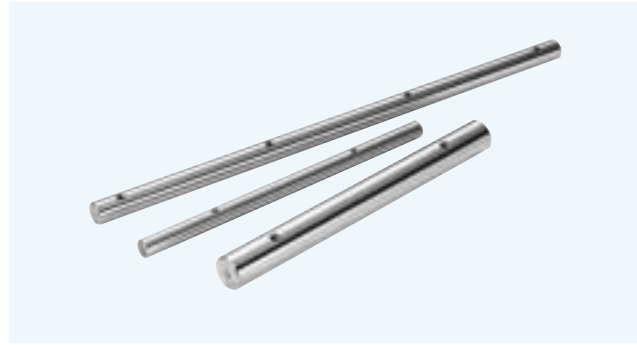
Tolerances other than *g5 are available upon request.

Longer length are also available.

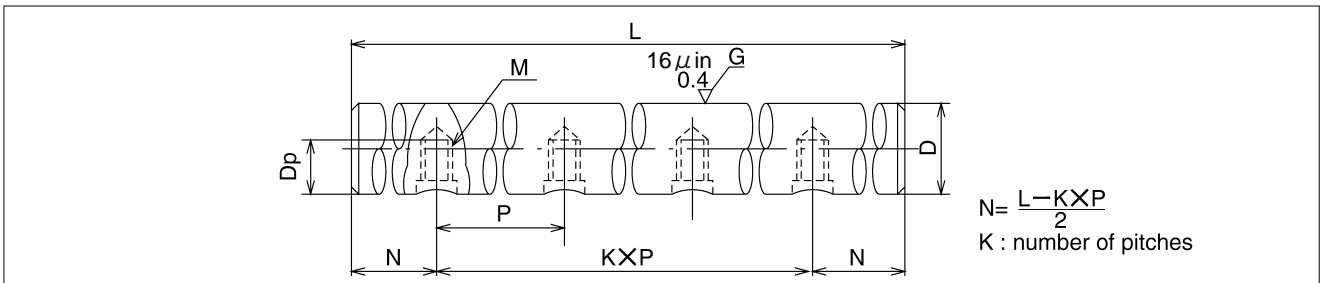
1kg ≅ 2.205 lb

SNWS-PD

– NB Inch Pre-Drilled Stainless Steel Shaft –



part number	structure
example	SNWS 24 g5 × 72 inch- PD
SNWS type	pre-drilled shaft
size	length (L) outer diameter tolerance



part number	outer diameter		pitch P inch/mm	bolt size M	tapped hole depth Dp inch/mm	maximum length L inch/mm
	D inch mm	tolerance g5* inch/μm				
SNWS12-PD	3/4 19,050	-.0003 -.0006	6 152.4	# 10-32	0.400 10.2	72 1,828.8
SNWS16-PD	1 25,400	-7 -16		1/4-20	0.500 12.7	
SNWS20-PD	1-1/4 31,750	-.0004 -.0008		5/16-18	0.650 16.5	
SNWS24-PD	1-1/2 38,100	-9 -20	8 203.2	3/8-16	0.700 17.8	
SNWS32-PD	2 50,800	-.0004/-0.0010 -10/-23		1/2-13	0.850 21.6	

material : martensite stainless steel (equivalent to SUS440C)

hardness : HV653 (58HRC) or more

Tolerances other than *g5 are available upon request.

Longer length are also available.